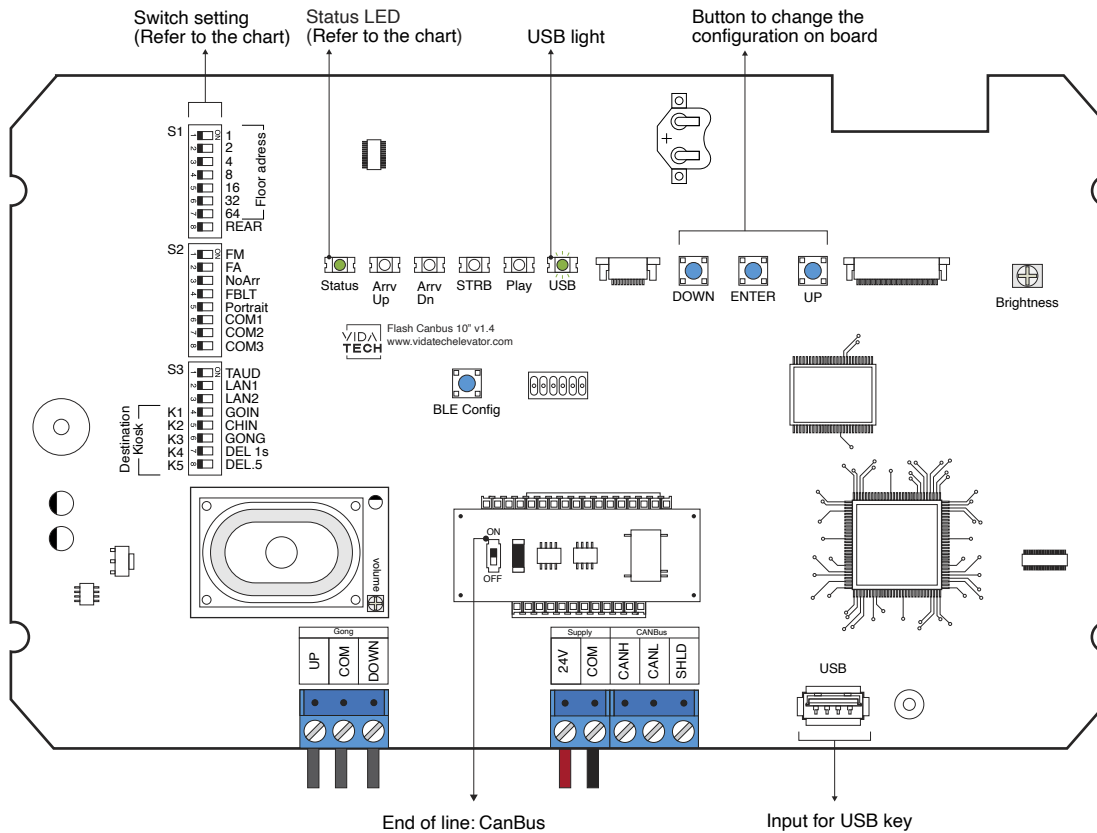


F1021 – CANBus 10” LCD indicator

Installation manual



- Supply must be between 16VDC to 30VDC.
- Must be installed at landings.
- Press “ENTER” to go the main menu of the LCD, then navigate with “UP/DOWN” switches. Refer to the operation manual on our website.

IMPORTANT

1. Select the floor address with dipswitch S1.
2. Activate GONG dipswitch to hear the gong when the elevator reaches the floor.
3. If you have external arrival arrows, then you need to activate the NOARR dipswitch to remove the Red/Green arrow from the LCD screen.

▪ Status LED :

Status LED	Description
Steady	No communication
Slow Blink	System error
Fast Blink	Communication active with no error

▪ Switch setting :

SW #	#	Text	Description																																			
			0	1	2	3	4	5	6	7	8	9	10	11	12	13	14	15	16	17	18	19	20	21	22	23	24	25	26	27	28	29	30	31	32			
S1	Floor Address		0	1	2	3	4	5	6	7	8	9	10	11	12	13	14	15	16	17	18	19	20	21	22	23	24	25	26	27	28	29	30	31	32			
	1	1		•		•		•		•		•		•		•		•		•		•		•		•		•		•		•		•		•		
	2	2			•	•			•	•			•	•			•	•			•	•			•	•			•	•			•	•				
	3	4					•	•	•	•					•	•	•	•					•	•	•	•					•	•	•	•				
	4	8									•	•	•	•	•	•	•	•									•	•	•	•	•	•	•	•	•	•		
	5	16																	•	•	•	•	•	•	•	•	•	•	•	•	•	•	•	•	•	•		
	6	32																																			•	
	7	64																																				
	8	REAR	ON -> Installed on the rear																																			
S2	1	FM	ON -> Blank the display in fire mode																																			
	2	FA	ON -> Blank the display in fire alternate mode																																			
	3	NoArr	ON -> Blank the arrow																																			
	4	FBLT	ON -> 100% backlight intensity OFF -> 80% backlight intensity (Backlight life enhanced)																																			
	5	Portrait	ON -> Portrait mode (If existing within the config)																																			
		Communication	CAN Vidatech	CAN JRT				CAN GAL				CAN elevator controls				CAN TKE				CAN Smartrise																		
	6	COM1					•																													•		
	7	COM2																																				
8	COM3																																					
S3	1	TAUD	ON -> Play all audio file saved in memory																																			
	2	GOING	ON -> Going Up/Dn active																																			
	3	CHIM	ON -> Passing Chime active																																			
	4	GONG	ON -> Cabin gong active																																			
		Language	French				English				1 - French 2 - English				1 - English 2 - French																							
	5	LAN1																																			•	
	6	LAN2																																				•
	7	DEL1	ON -> Add 1 second of silence after the strobe																																			
8	DEL5	ON -> Add 0.5 second of silence after the strobe																																				