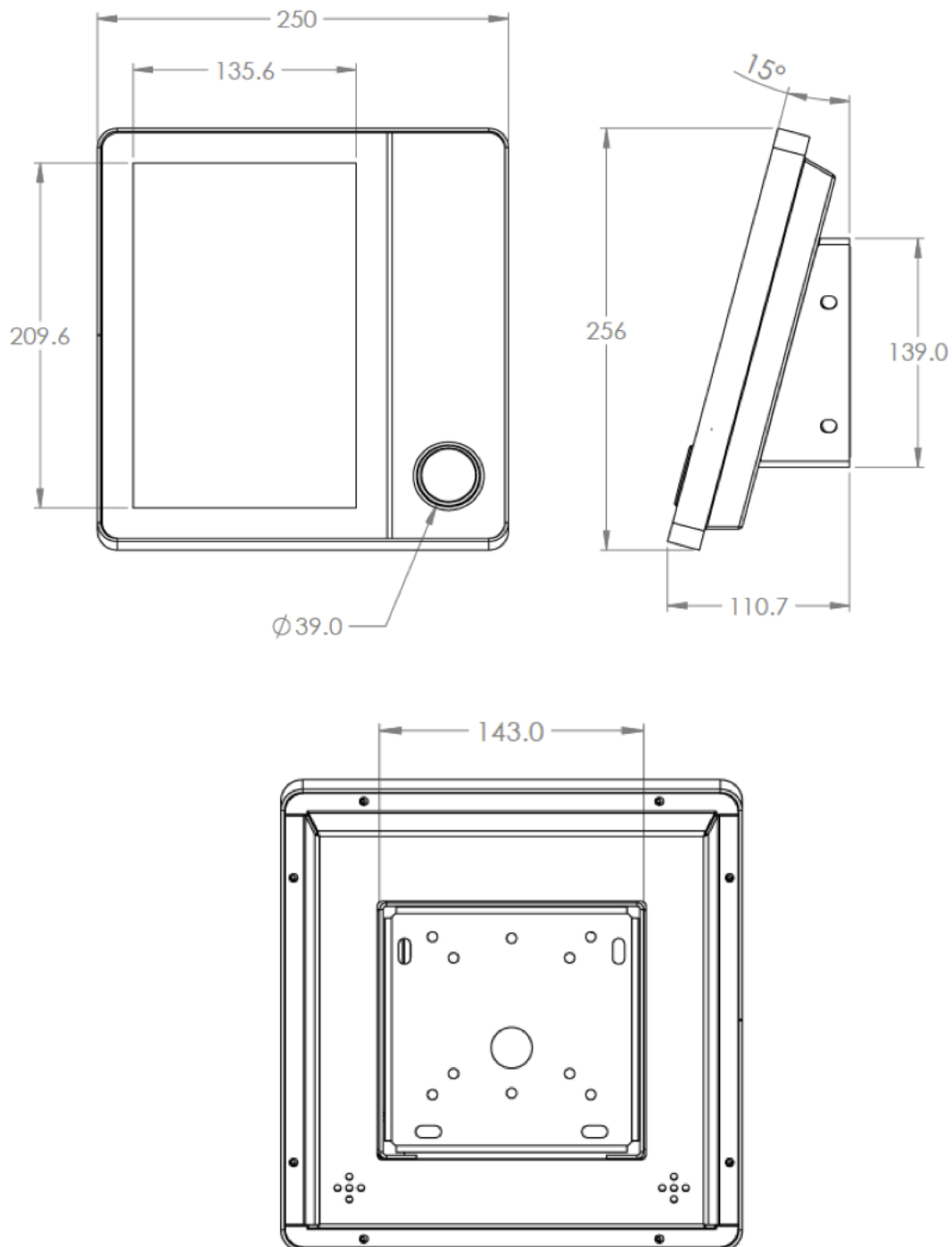


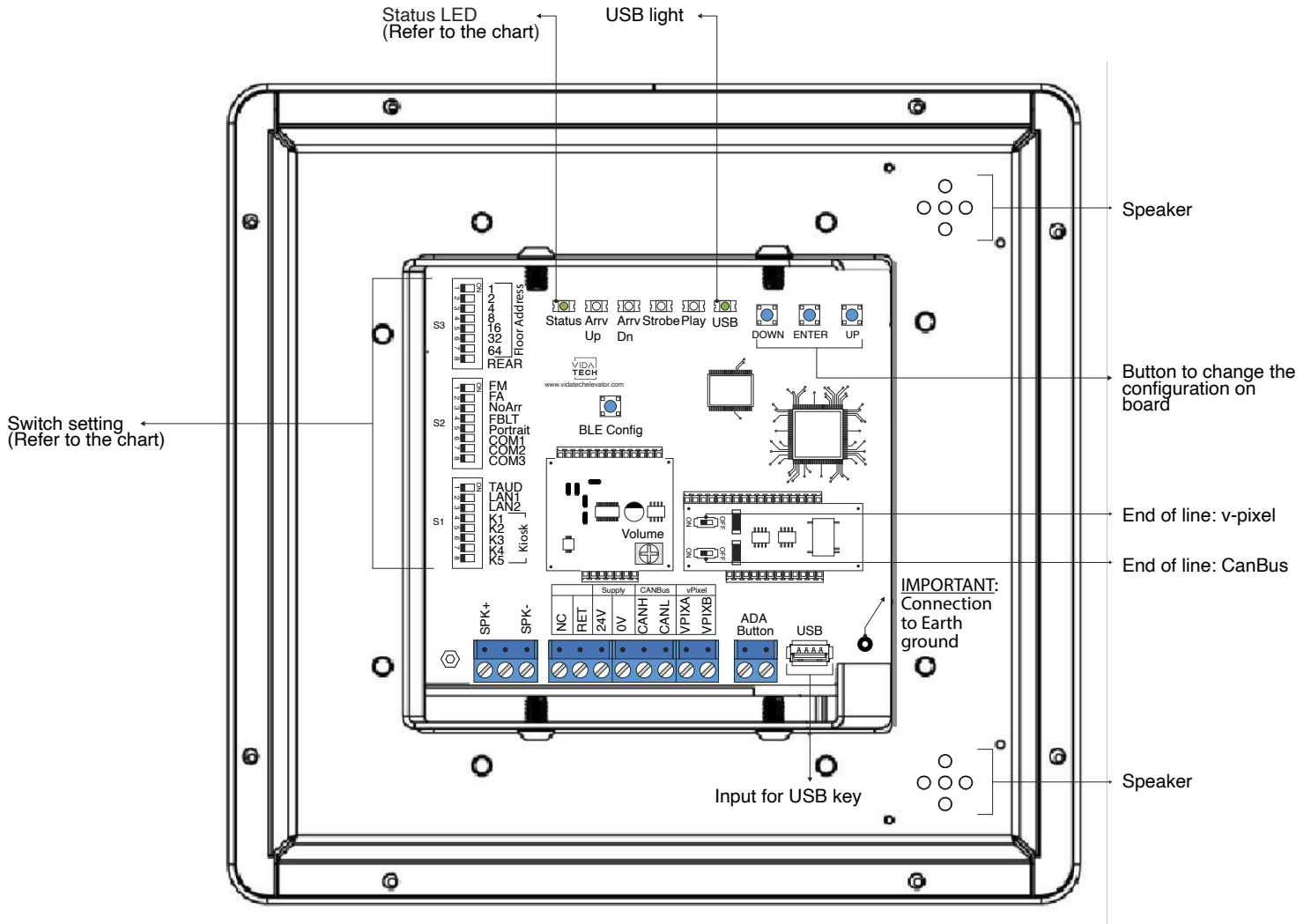
B10X2-DXX – CANBus 10.1” Touch Destination Dispatch with surface enclosure

Installation manual

• Dimensions (mm) :



• Connections :

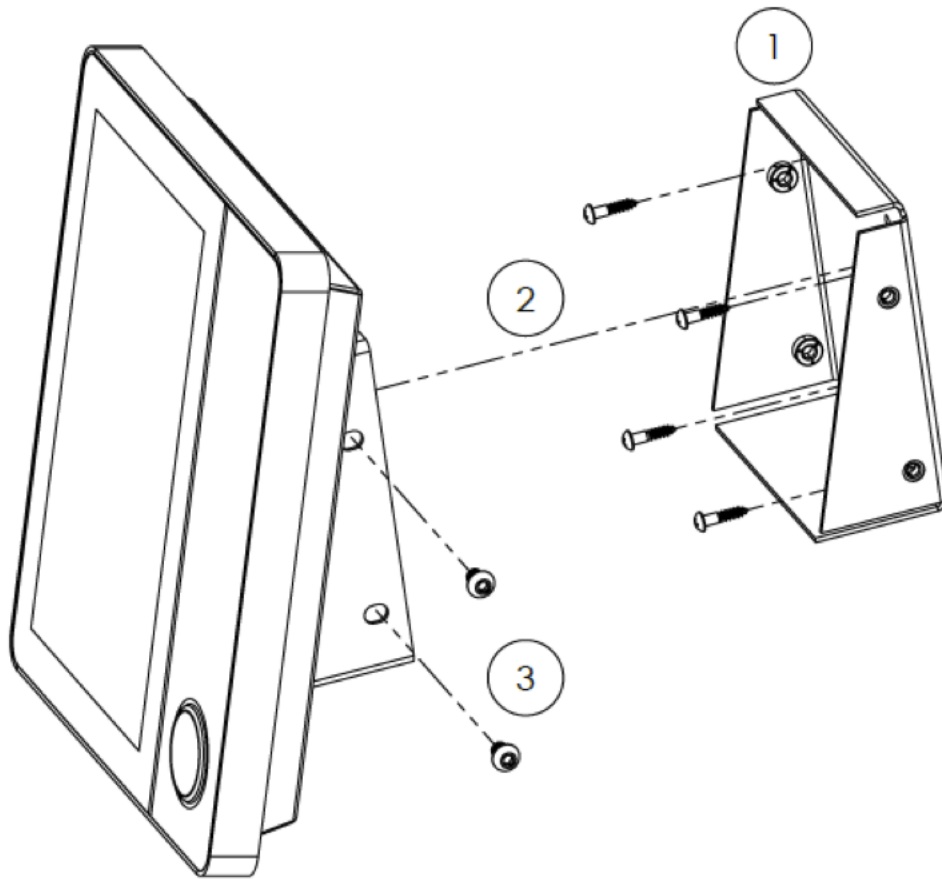


Supply Voltage	16 - 30 VDC
Supply Current	600mA Max
Resolution	1280 x 800
Color Depth	65,536
Viewing Angle	85 deg
Status LED	Steady = No communication Slow Blink = System error Fast Blink = Communication active - No error

• Switches Setting :

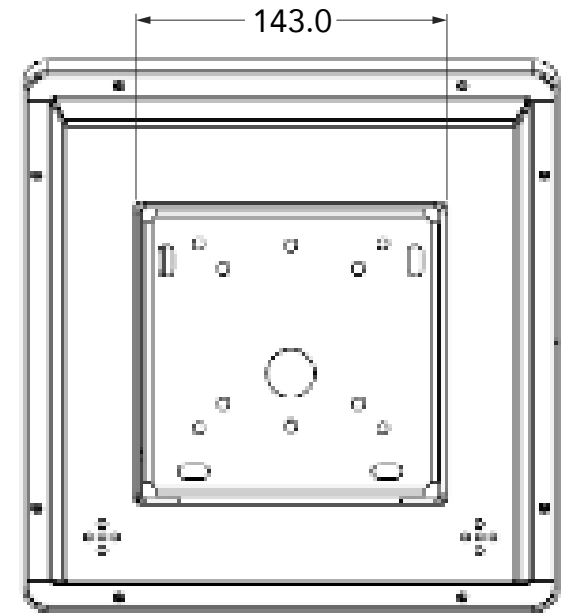
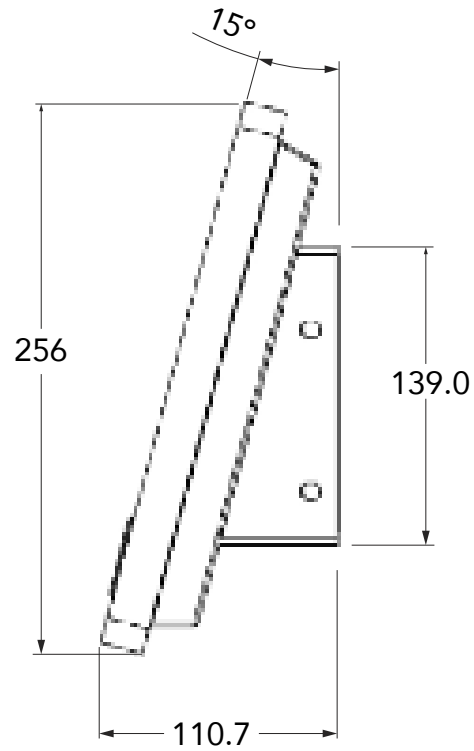
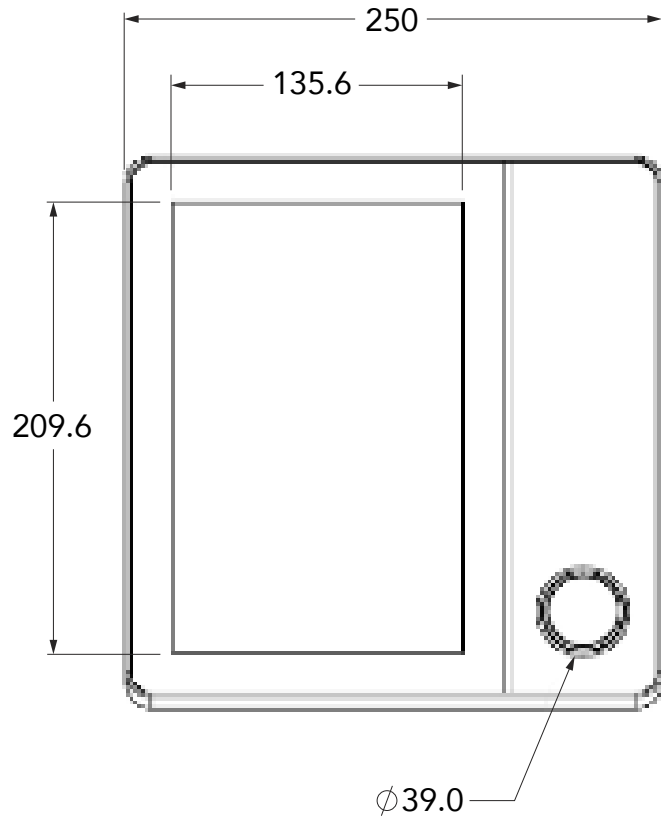
SW	#	Text	Description																																			
S1	1	TAUD	ON -> Play all audio files saved in memory																																			
	Language		French					English					1 - French 2 - English					1 - English 2 - French																				
	2	LAN1																•																				
	3	LAN2																•																				
	Kiosk		0	1	2	3	4	5	6	7	8	9	10	11	12	13	14	15	16																			
	4	K1		•		•		•		•		•		•		•		•		•		•		•		•		•		•		•						
	5	K2			•			•		•		•		•		•		•		•		•		•		•		•		•		•						
	6	K3				•		•		•		•		•		•		•		•		•		•		•		•		•		•						
	7	K4								•		•		•		•		•		•		•		•		•		•		•		•						
8	K5																														•							
S2	1	FM	ON -> Blank the display in fire mode																																			
	2	FA	ON -> Blank the display in fire alternate mode																																			
	3	NoArr	ON -> Blank the arrow																																			
	FBLT		ON -> 100% backlight intensity																																			
	FBLT		OFF -> 80% backlight intensity (Backlight life enhanced)																																			
	5	Portrait	ON -> Portrait mode (If existing within the config)																																			
	Communication		CAN Vidatech					JRT Destination CAN					CAN GAL					CAN elevator controls					CAN TKE					CAN Smartrise										
	6	COM1																•																				
7	COM2																•																					
8	COM3																•																					
S3	Adresse Floor		0	1	2	3	4	5	6	7	8	9	10	11	12	13	14	15	16	17	18	19	20	21	22	23	24	25	26	27	28	29	30	31	32			
	1	1		•		•		•		•		•		•		•		•		•		•		•		•		•		•		•		•		•		
	2	2			•		•			•		•		•		•		•		•		•		•		•		•		•		•		•		•		
	3	4				•		•		•		•		•		•		•		•		•		•		•		•		•		•		•		•		
	4	8								•		•		•		•		•		•		•		•		•		•		•		•		•		•		
	5	16																																				
	6	32																																				
	7	64																																				
	8	REAR	ON -> Installed on the rear																																			


• Installation steps :



• Installation instructions :

1. Mount the wall bracket and level it.
2. Connect the wires properly, then position the casing on the wall support.
3. Secure the casing with the 4 screws provided.



	Title: B1062-DXX – CANBus 10.1" Touch Destination Dispatch with surface enclosure		Unit: MM	
	Tolerance:	Material:	Finish:	
		Scale:	No. piece:	Date: 2022-04-05
	Angular:	Rev:	Name:	Page: 1/1