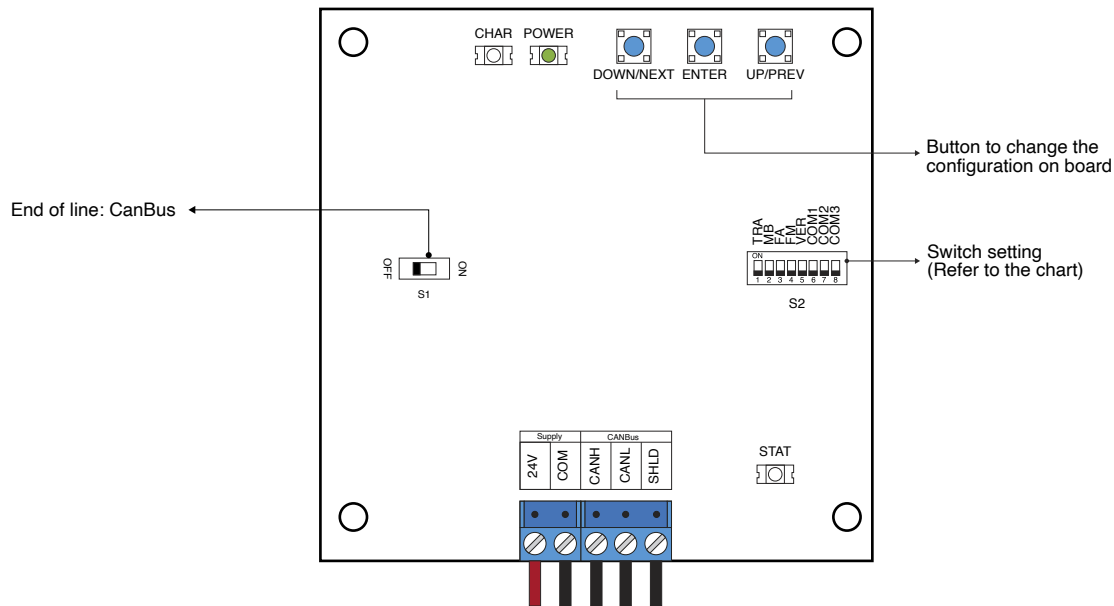


# S1220-3X – CANBus mini position indicator

## Installation manual



- Supply must be between 16VDC to 30VDC.
- The switch S1 must be set ON only on the end of the line position indicator.
- Switch setting :

SW #	#	Text	Description					
SW #	1	TRA	ON -> Transition mode is active.					
	2	MB						
	3	FA	ON -> Blank the display in fire alternate mode.					
	4	FM	ON -> Blank the display in fire mode.					
	5	VER/HOR	ON -> Characters are displayed vertically. A maximum of two characters can be displayed. OFF -> Characters are displayed horizontally.					
		Communication	CAN Vidatech	CAN JRT	CAN GAL	CAN elevator controls	CAN TKE	CAN Smartrise
	6	COMM 1		●		●		●
	7	COMM 2			●	●		
8	COMM 3					●	●	