

# FLASH F70XX

7" LCD position indicators with audio



## Applications

Car-OP position indicator  
Hall position indicator



## Display features

Up to 3 inches characters  
Automatic centering  
Up to 3 Digits  
Viewing angle of 160 degrees  
16 Millions Colors  
1024 x 600 resolution  
Portrait/Landscape



## Audio features

3 watt amplifier  
Voice annunciation  
Arrival Gong  
Fully configurable (WAV/MP3)  
External speaker



917 Mgr Grandin, Suite 304B  
Quebec City  
Québec, Canada G1V 3X8

1 418 476-4802  
info@vidatechelevator.com

TO ORDER :

F70XX

Input  
"0" : Discrete  
"2" : CanBus  
"6" : CanBus + vPixel

Voice  
"0": None  
"1": Arrival gong  
"2": Voice

# F701X - Binary 7" LCD indicator

## F7010

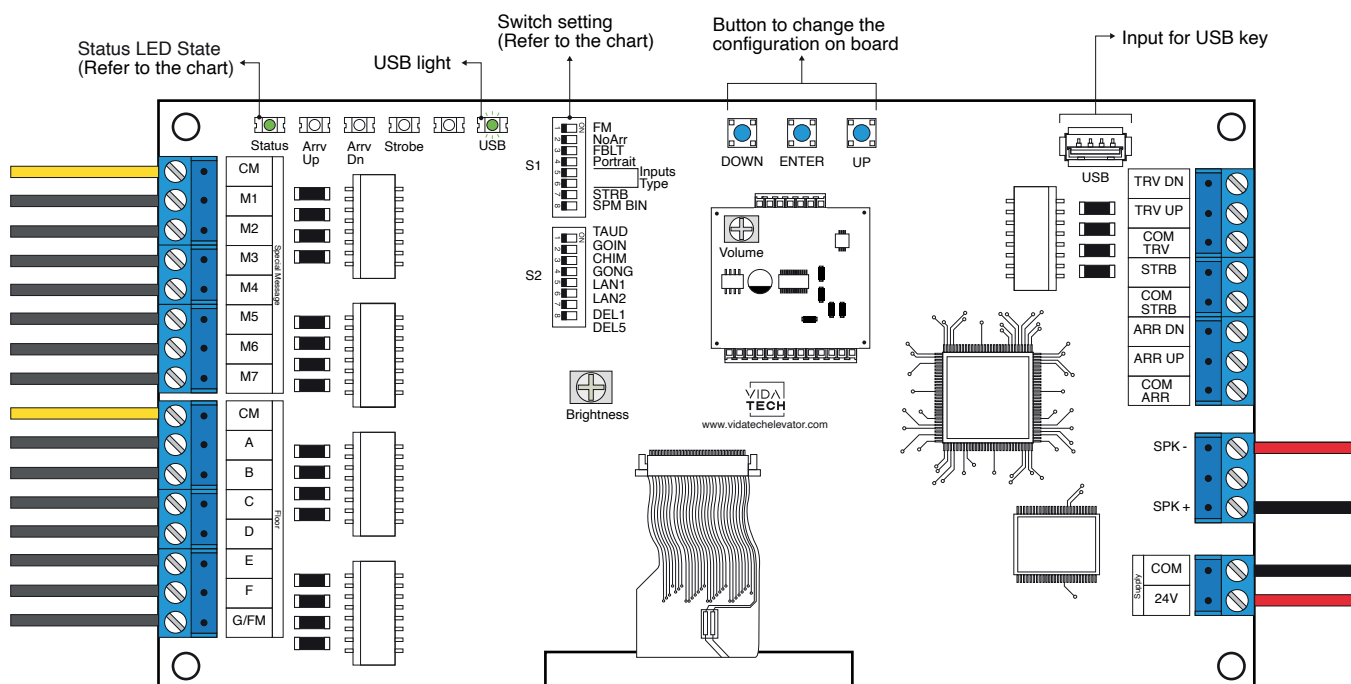
Binary 7" LCD indicator

No voice

## F7012

Binary 7" LCD indicator  
with voice

With voice



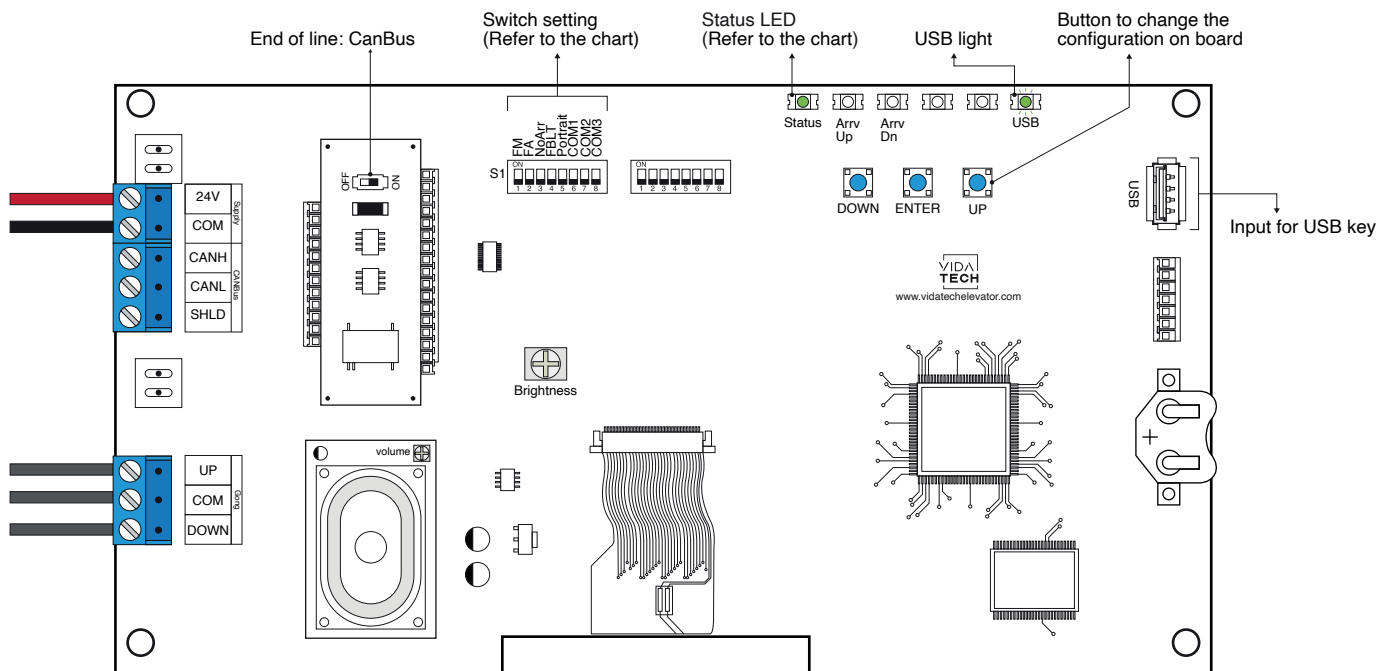
- Supply must be between 16VDC to 28VDC.
- Speaker must be 4Ω to 45Ω, 5Watts minimum.
- Up to 12 minutes 38 seconds of message time.
- Speaker wire length must be less than 500 feet to prevent noise.
- .via files are for audio configuration. Only one .via file must be present on the USB dongle.
- VCI, VIA and Visual files must be placed on the root of a USB dongle, then connected to a powered indicator until the USB light stops blinking.
- Volume of the voice annunciator is controlled by “volume” potentiometer.
- Brightness of the LCD is controlled by “brightness” potentiometer.
- Must be installed in COP or hall fixtures.
- To get the actual configuration of the indicator, connect a void USB dongle, then the configuration will upload into the dongle.
- You can modify the stair digit displayed by the indicator by modifying the .vci file with the Storm software, available on our website.
- You can modify the visual configuration with the Storm software available on our website.
- Switch setting :

SW #	#	Text	Description				
S1	1	FM	ON -> Blank the display in fire mode				
	2	NoArr	ON -> Blank the arrow				
	3	FBLT	ON -> 100% backlight intensity OFF -> 80% backlight intensity (Backlight life enhanced)				
	4	Portrait	ON -> Portrait mode (If existing within the config)				
			Binary	1 Wire/Floor	Gray Code	N/A	
	5	Input		●		●	
	6				●	●	
	7	STRB	ON -> Strobe active Low OFF -> Strobe active High				
	8	SPM BIN	ON -> Binary OFF -> 1 wire per message				
S2	1	TAUD	ON -> Play all audio file saved in memory				
	2	GOING	ON -> Going Up/Dn active				
	3	CHIM	ON -> Passing Chime active				
	4	GONG	ON -> Cabin gong active				
			Language	French	English	1 - French 2 - English	1 - English 2 - French
	5	LAN1		●		●	
	6	LAN2			●	●	
	7	DEL1	ON -> Add 0.5 second of silence after the strobe				
	8	DEL.5	ON -> Add 1 second of silence after the strobe				

# F702X – CANBus 7” LCD indicator

## F7021 CANBus 7” LCD indicator with gong

No voice



- Supply must be between 16VDC to 30VDC.
- Must be installed in COP
- Brightness of the LCD is controlled by “brightness” potentiometer.
- Press “ENTER” to go the main menu of the LCD, then navigate with “UP/DOWN” switches. Refer to F7022 operation manual on our website.
- To activate Gong option, user must program floor address in the menu.
- Switch setting :

SW #	#	Text	Description					
S1	1	FM	ON -> Blank the display in fire mode					
	2	FA	ON -> Blank the display in fire alternate mode					
	3	NoArr	ON -> Blank the arrow					
	4	FBLT	ON -> 100% backlight intensity OFF -> 80% backlight intensity (Backlight life enhanced)					
	5	Portrait	ON -> Portrait mode (If existing within the config)					
	Communication		CAN Vidatech	CAN JRT	CAN GAL	CAN elevator controls	CAN TKE	CAN Smartrise
	6	COM1		●		●		●
	7	COM2			●	●		
8	COM3					●	●	

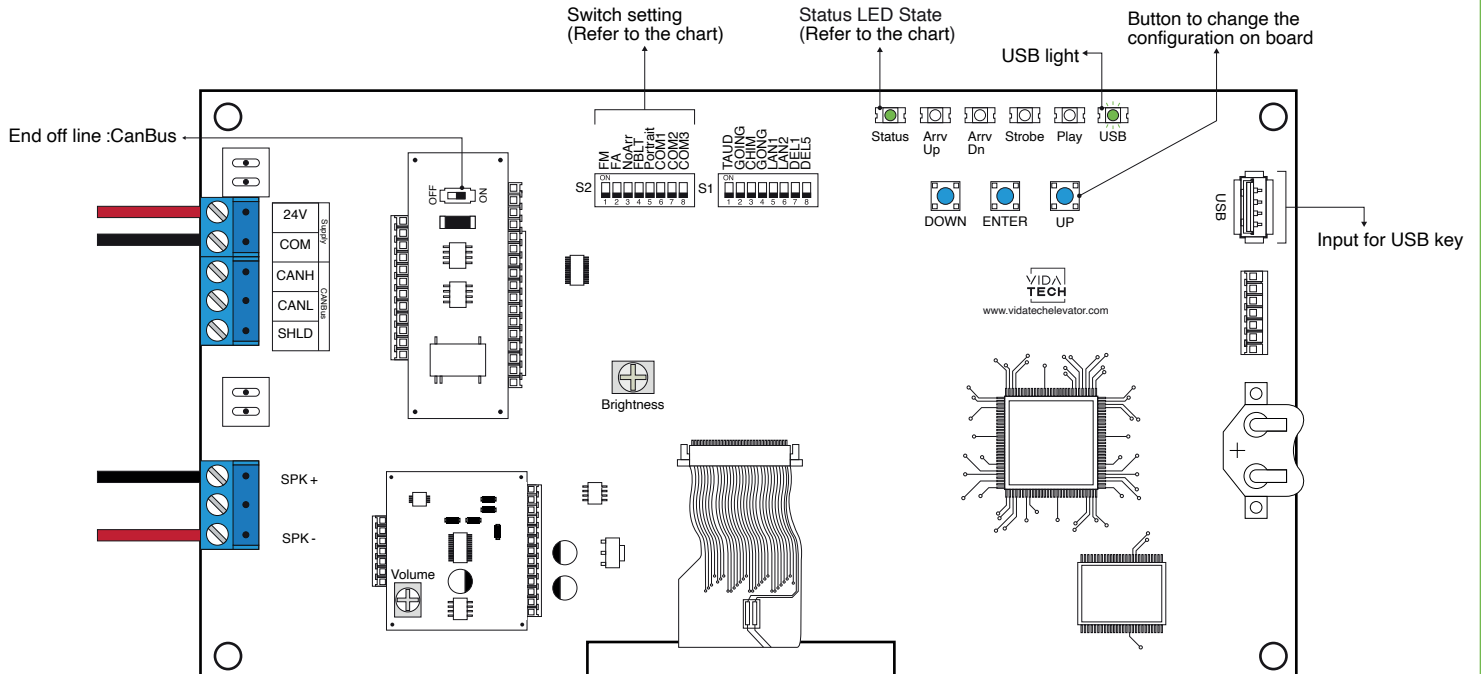
# F702X – CANBus 7” LCD indicator

**F7020**  
CANBus 7” LCD indicator

No voice

**F7022**  
CANBus 7” LCD indicator  
with voice

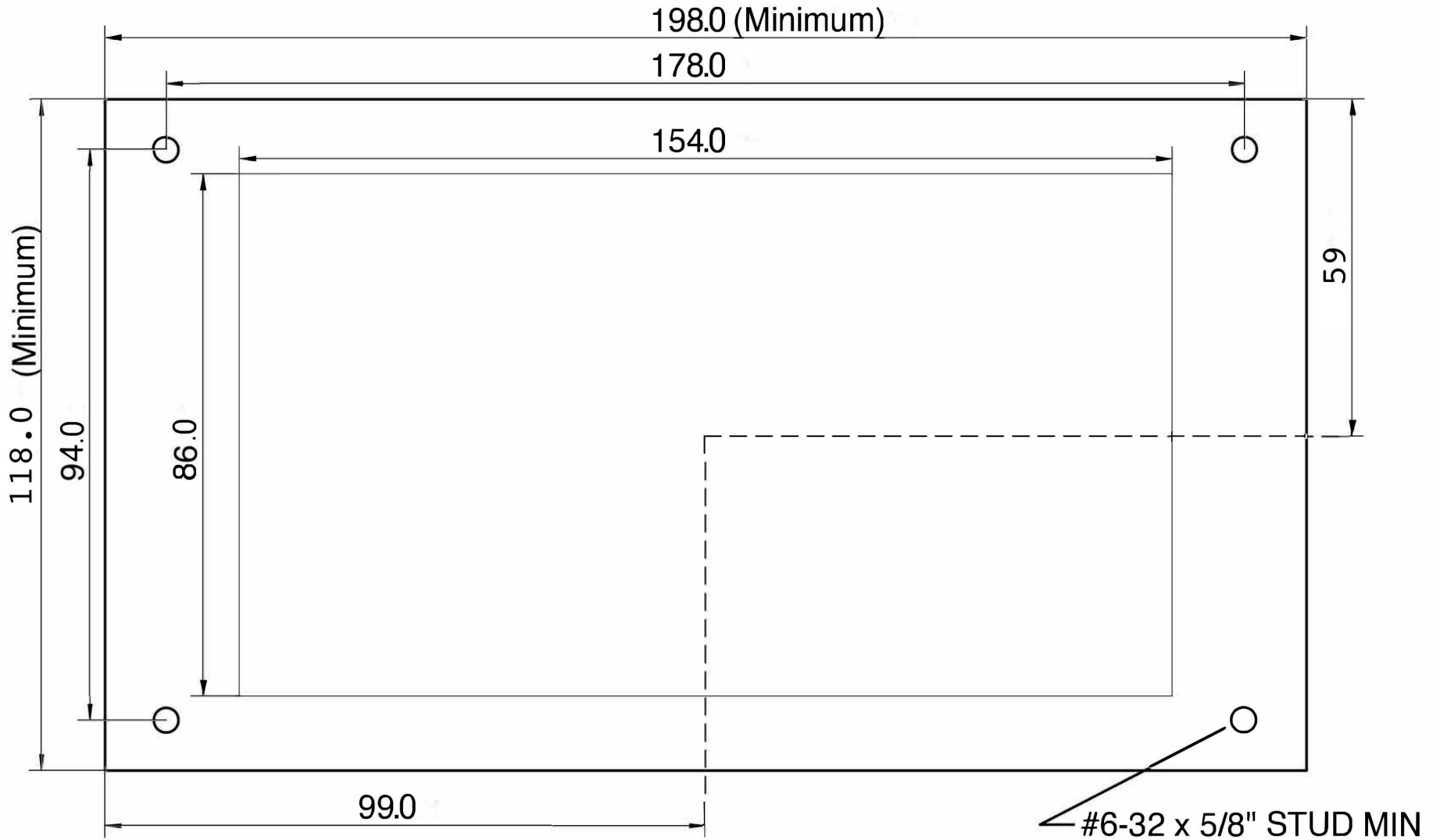
With voice




- Supply must be between 16VDC to 28VDC.
- Speaker must be 4Ω to 45Ω, 5Watts minimum.
- Up to 12 minutes 38 seconds of message time.
- Speaker wire length must be less than 500 feet to prevent noise.
- .via files are for audio configuration. Only one .via file must be present on the USB dongle.
- .via and visual files must be place on the root of a USB dongle, then connected to a powered voice until the USB light stops blinking.
- Must be installed in COP.
- Brightness of the LCD is controlled by “brightness” potentiometer.
- Volume of the voice annunciator is controlled by “volume” potentiometer.
- Press ENTER to go the main menu of the LCD, then navigate with UP/DOWN switches. Refer to F7022 operation manual on our website.
- Switch setting :

SW #	#	Text	Description			
S2	1	FM	ON -> Blank the display in fire mode			
	2	FA	ON -> Blank the display in fire alternate mode			
	3	NoArr	ON -> Blank the arrow			
	4	FBLT	ON -> 100% backlight intensity OFF -> 80% backlight intensity (Backlight life enhanced)			
	5	Portrait	ON -> Portrait mode (If existing within the config)			
	Communication		CAN Vidatech	CAN JRT	CAN GAL	
	6	COM1		•		
	7	COM2				•
S1	8	COM3				
	1	TAUD	ON -> Play all audio file saved in memory			
	2	GOING	ON -> Going Up/Dn active			
	3	CHIM	ON -> Passing Chime active			
	4	GONG	ON -> Cabin gong active			
	Language		French	English	1 - French 2 - English	1 - English 2 - French
	5	LAN1		•		•
	6	LAN2			•	•
7	DEL1	ON -> Add 1 second of silence after the strobe				
8	DEL5	ON -> Add 0.5 second of silence after the strobe				

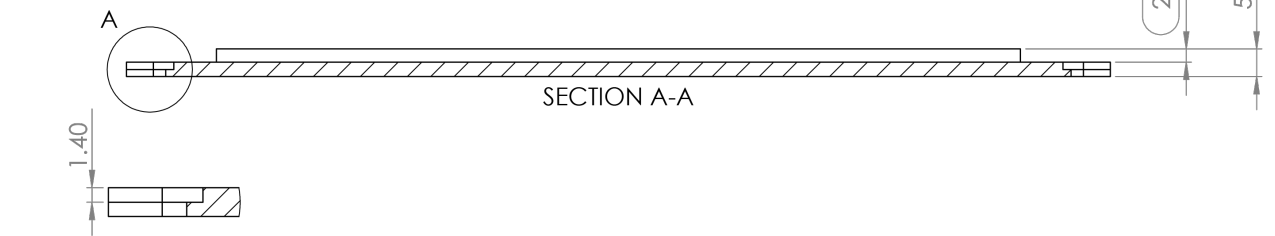
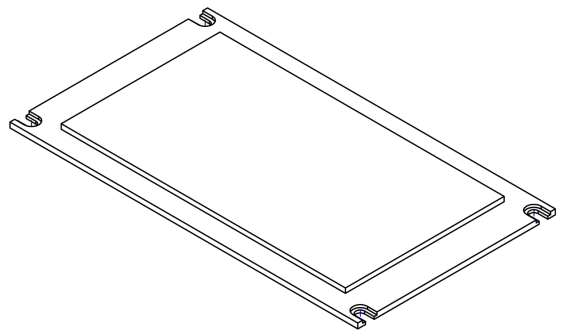
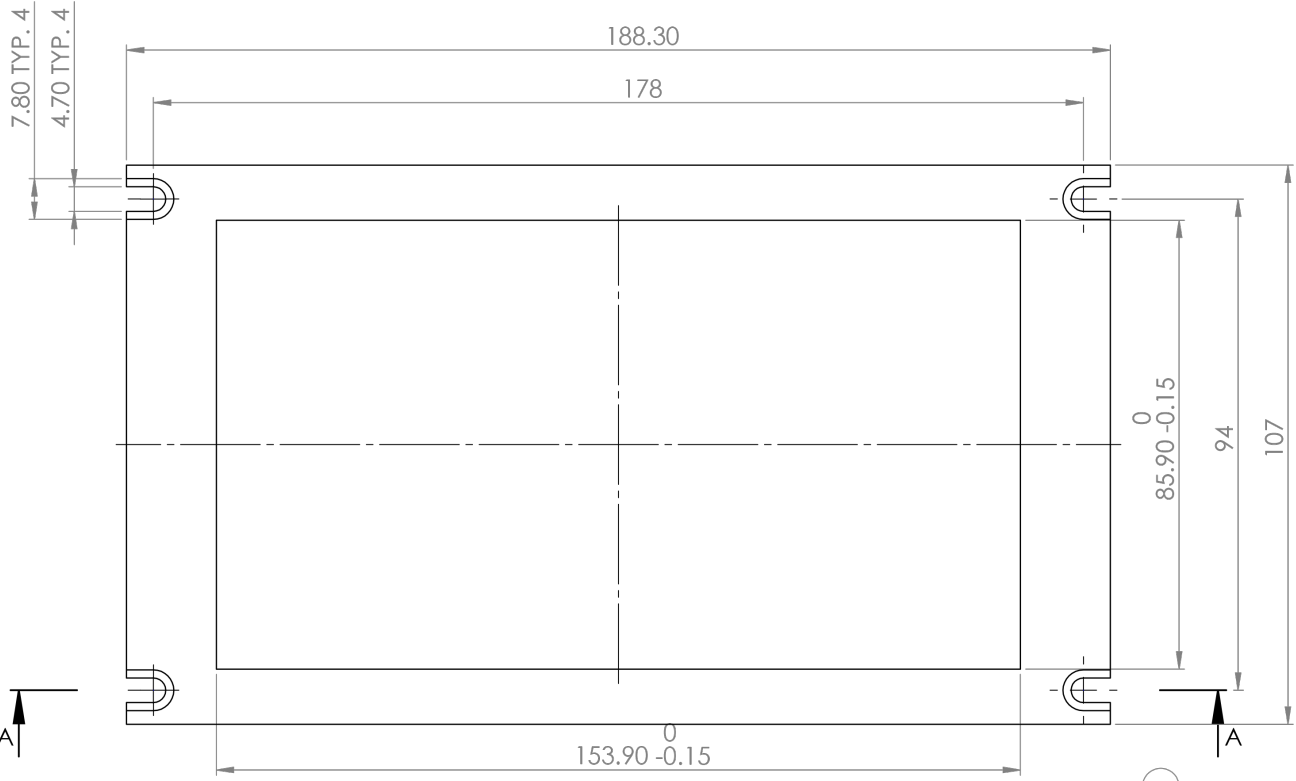
- **Play Test option (TAUD):** The device will play each voice file saved in the system in loop and will display the ASCII associated with the file playing.
- **Going Option (GOING):** The voice will play the file associated with the type « Going UP » or « Going Down » when STRB is asserted AND TRV UP or TRV DN.
- **Chime Option (CHIM):** The voice will play the file associated with the type « CHIME » each time the stair are changing.
- **Gong Option (GONG):** The voice will play the file associated with the type « Gong UP » or « Gong Down » when ARR DN or ARR UP are asserted.



Board thickness: 25.3 (including lens)

	Title: Face plate cutout detail Flash 7.0"		Unit: MM
	Tolerance:	Material:	Finish:
		Scale:	No. piece:
	Angular:	Rev: 5	Name: C.L





DETAIL A  
HOLE TYP. 4  
SCALE 2 : 1

	Title: Lens for screen 7.0"		Unit: MM
	Tolerance:	Material: Acrylic	Finish: Clear
		Scale:	No. piece: A70000
	Angular:	Rev: 5	Name: C.L