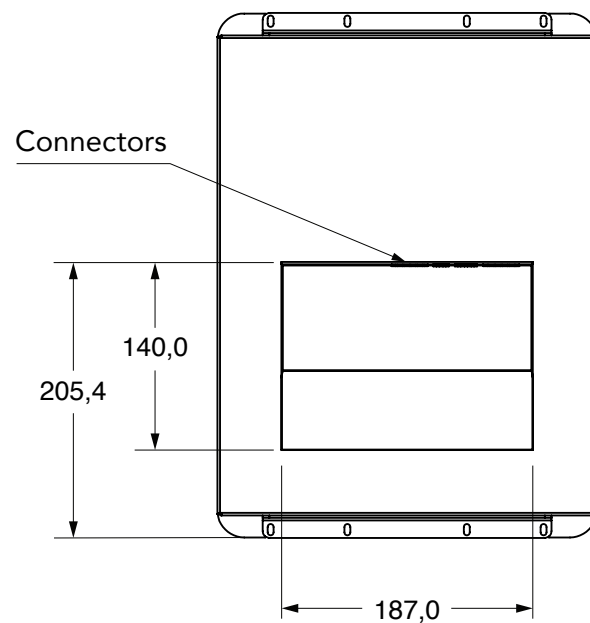
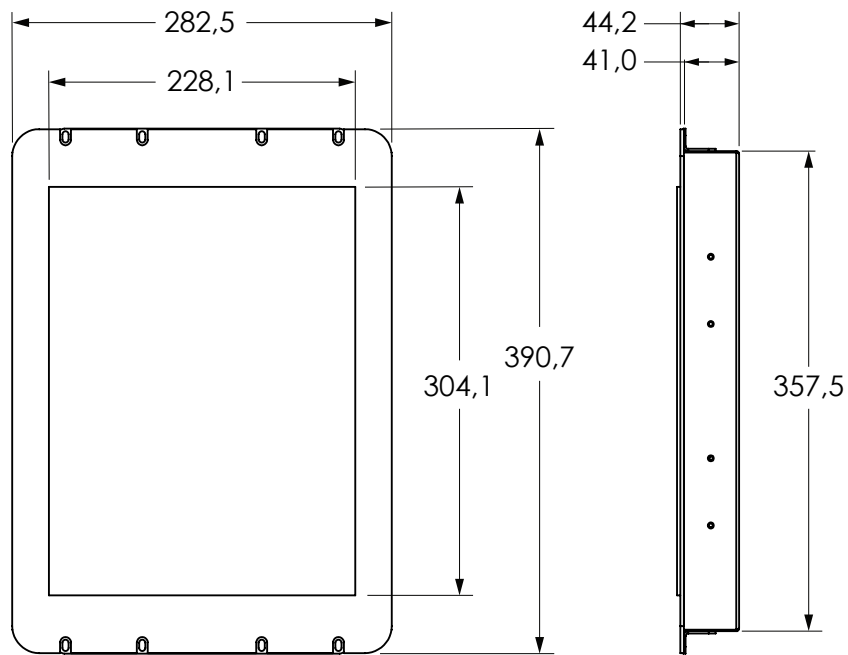


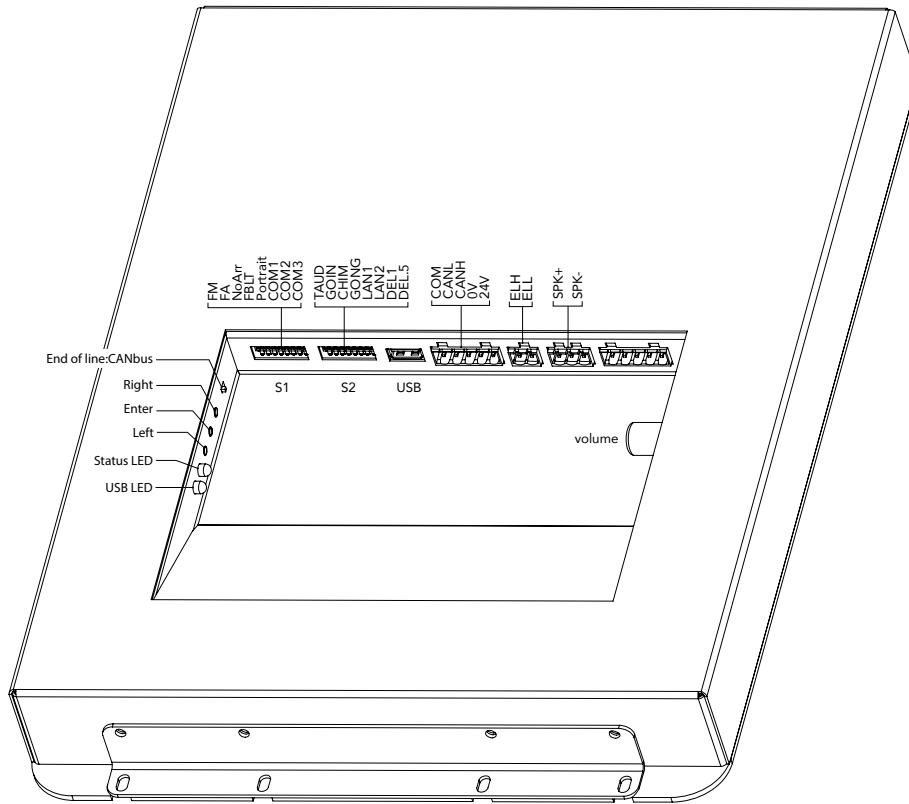
# F15XX – CANBus/EnergyLink 15”

## Installation manual

• Dimensions (mm) :



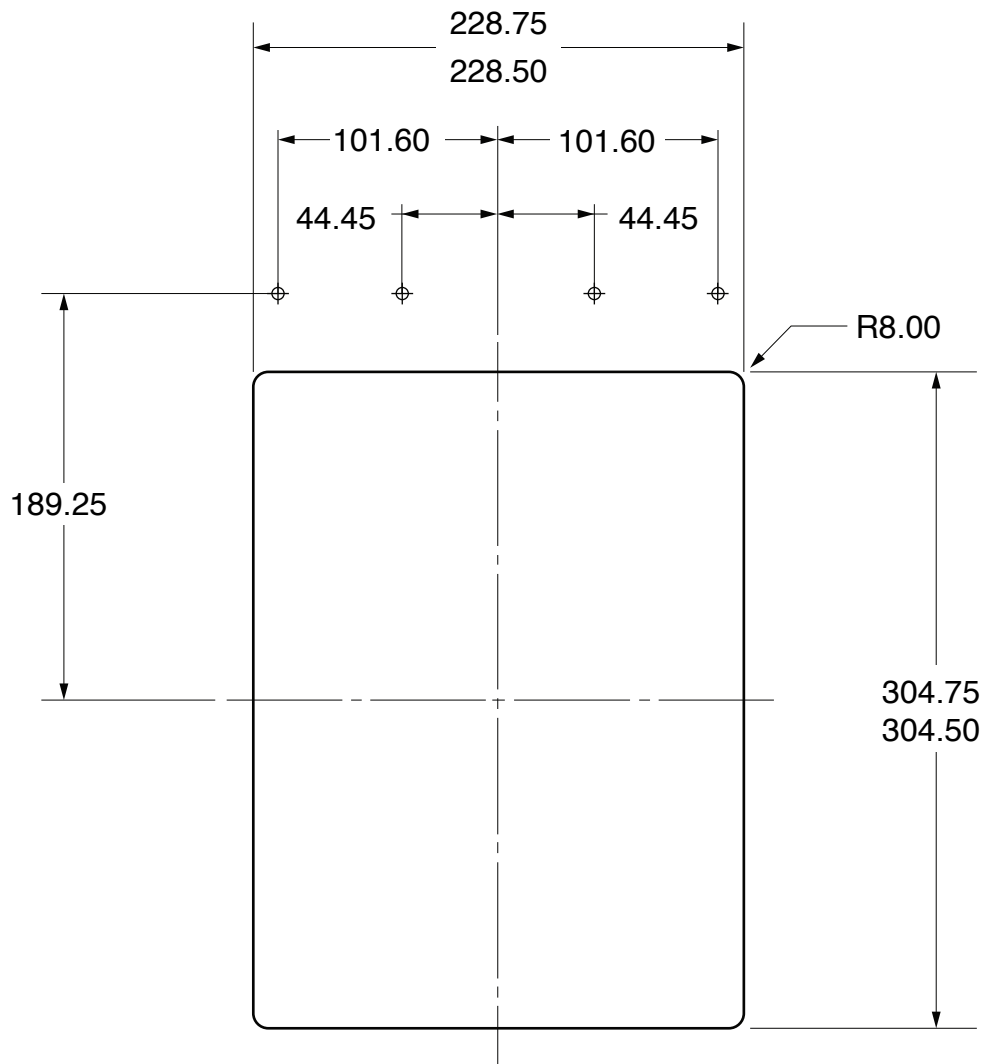
• Connections :



- Supply Voltage : 16VDC to 30VDC.
- Supply Current : Minimum 1000mA.
- Switches Setting :

SW #	#	Text	Description			
S1	1	FM	ON -> Blank the display in fire mode			
	2	FA	ON -> Blank the display in fire alternate mode			
	3	NoArr	ON -> Blank the arrow			
	4	FBL	ON -> 100% backlight intensity OFF -> 80% backlight intensity (Backlight life enhanced)			
	5	Portrait	ON -> Screen rotation in portrait mode			
	Communication		CAN Vidatech	CAN JRT	CAN GAL	
	6	COM1		•		
	7	COM2				•
S2	8	COM3				
	1	TAUD	ON -> Play all audio file saved in memory			
	2	GOING	ON -> Going Up/Dn active			
	3	CHIM	ON -> Passing Chime active			
	4	GONG	ON -> Cabin gong active			
	Language		French	English	1 - French 2 - English	1 - English 2 - French
	5	LAN1		•		•
	6	LAN2			•	•
7	DEL1	ON -> Add 0.5 second of silence after the strobe				
8	DEL5	ON -> Add 1 second of silence after the strobe				

• Faceplate Cutout (mm) :



#6-32 X 1/2" STUD MIN  
8 PLACES