

SPARK S23X0-3X

2.3" Alpha position indicators



Applications

Car-OP position indicator
Hall position indicator



Display features

16 - Segments
Available in blue and red
Up to 3 Digits
Traveling arrow



917 Mgr Grandin, Suite 304B
Quebec City
Québec, Canada G1V 3X8

1 418 476-4802
info@vidatechelevator.com

TO ORDER :

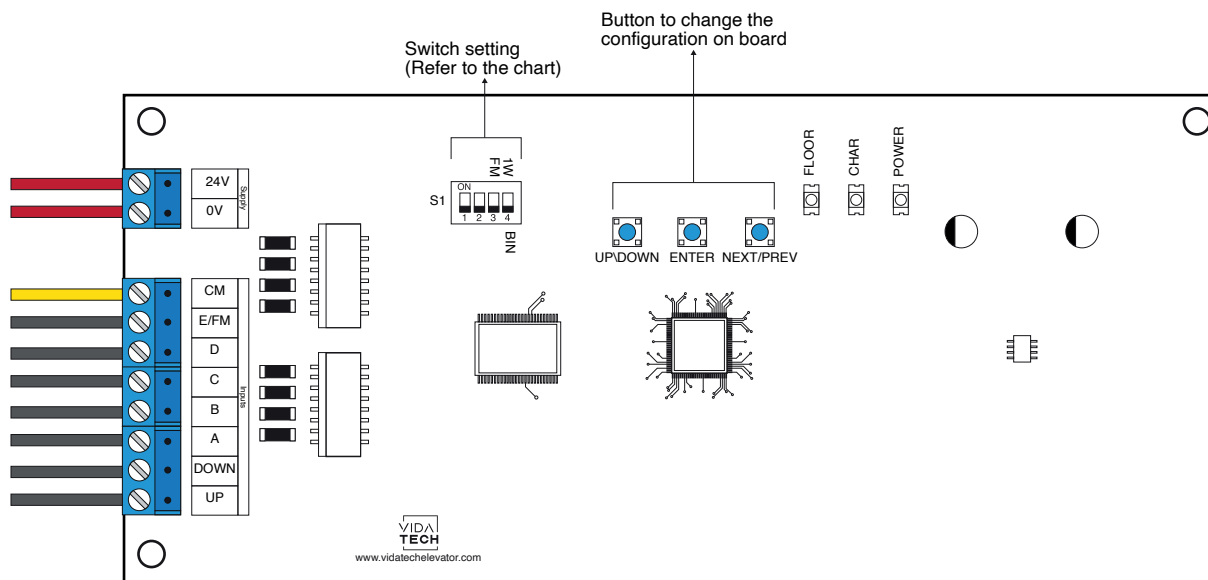
S23X0-XX

Input
"0" : Discrete
"2" : IsoCan
"4" : Energy Link

Digits
"2" : 2 Digits + Arrow
"3" : 3 Digits

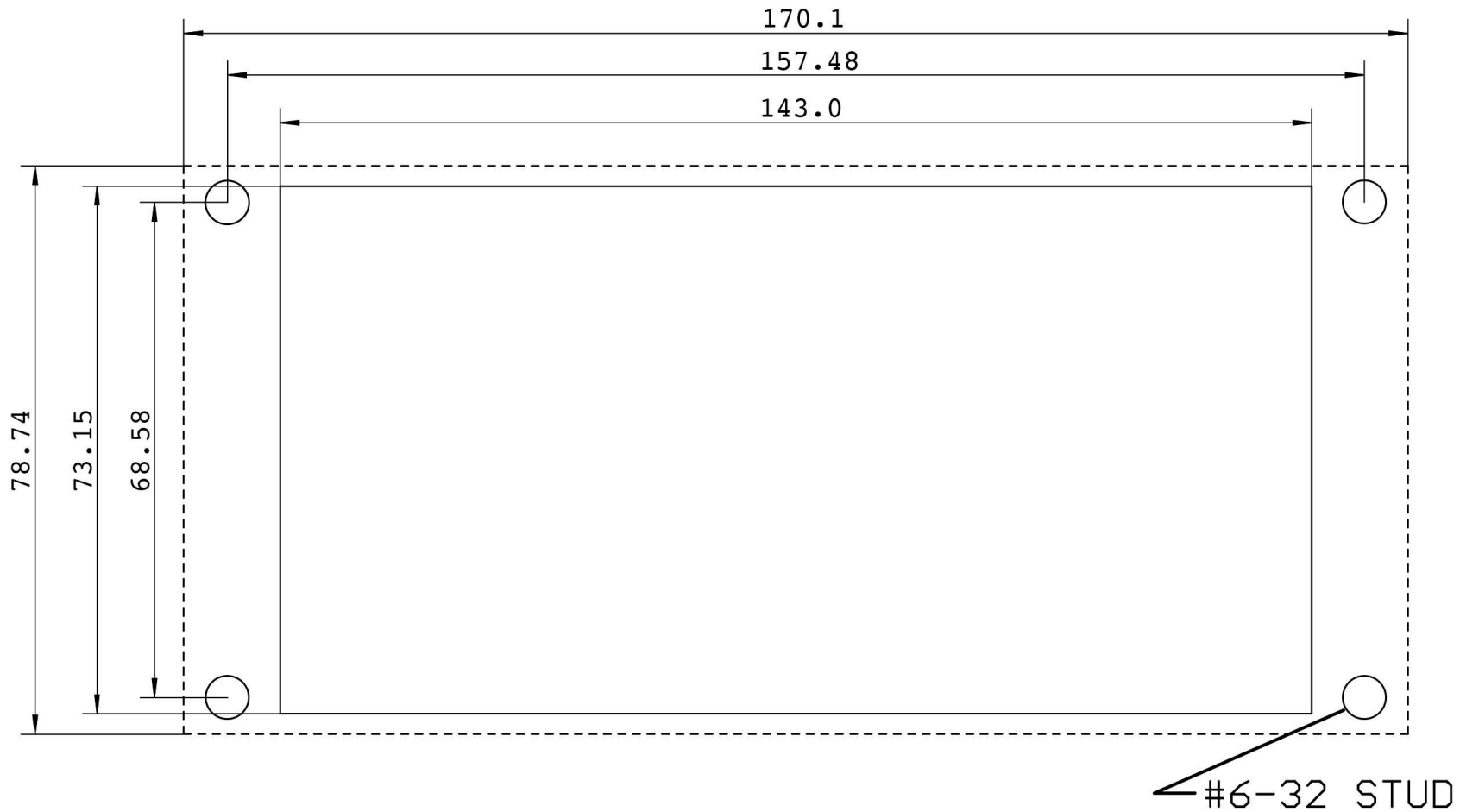
Color
"R" : Red
"B" : Blue

S2300-XX – Binary input 2.3” position indicator



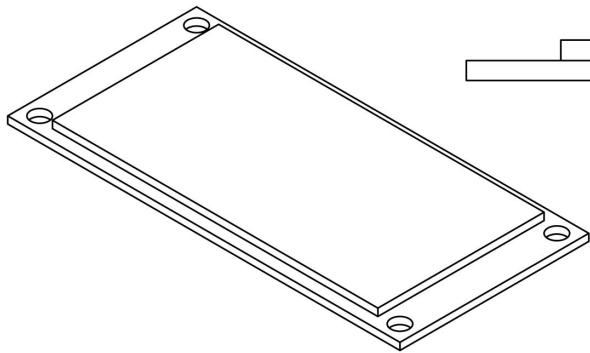
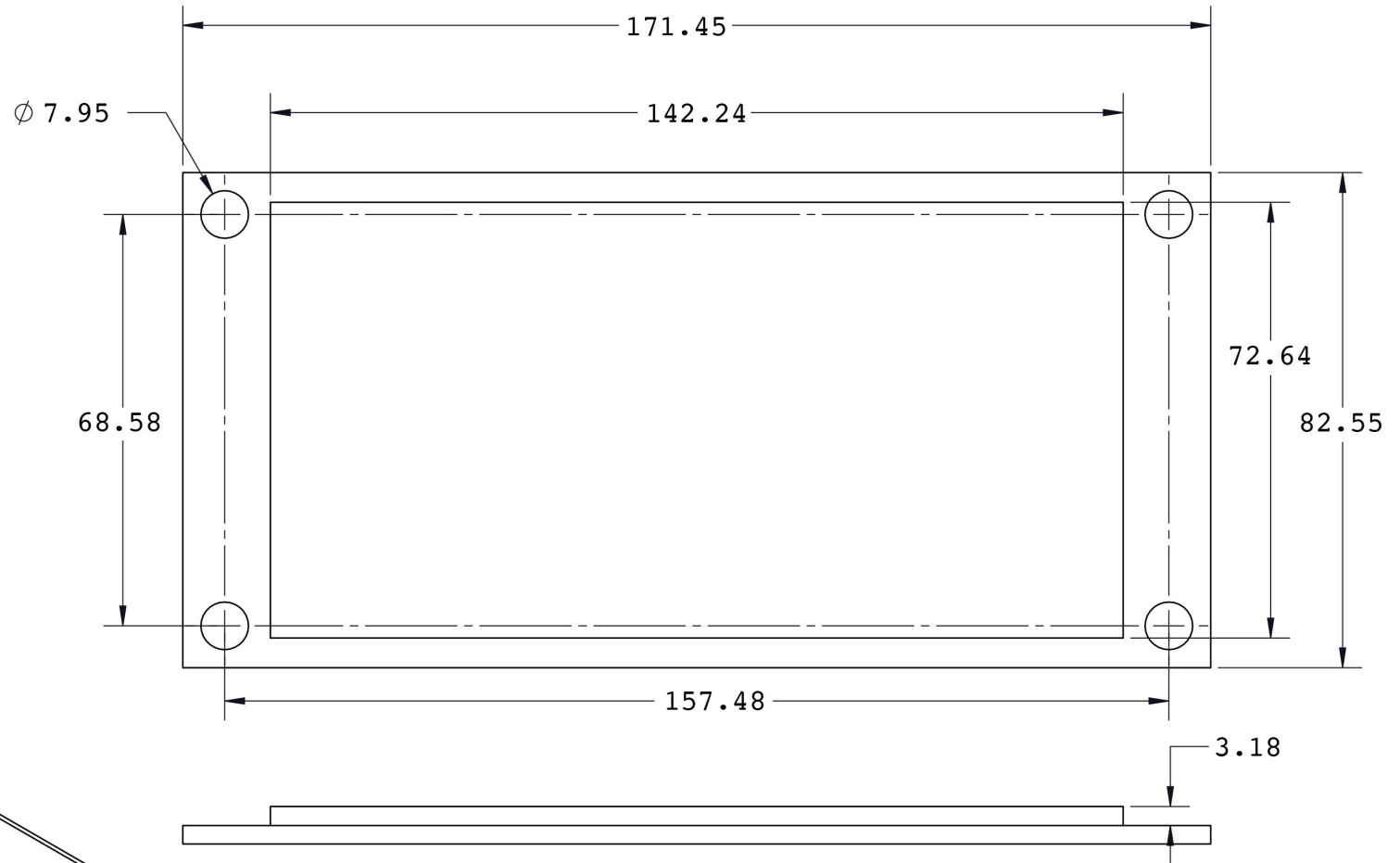
- Supply must be between 16VDC to 30VDC.
- To edit the configuration of the floors on board:
 1. Press the ENTER button.
 2. Press NEXT/PREV to select the floor to modify.
 3. Press ENTER to confirm the floor to modify.
 4. Press UP/DOWN to select the right character to display.
 5. Press ENTER to confirm the new character.
 6. Repeat the two previous step for the second and third character. Once completed, the indicator will show OK and return to normal mode.
- Switch setting :

SW #	#	Text	Description
S1	1		
	2		
	3	FM	ON -> Blank the display in fire mode.
	4	BIN	ON -> Inputs are in binary mode. OFF -> Inputs are in one wire mode.



Board thickness: 25.4 (including lens)

	Title: Face plate cutout detail Spark Alpha PI 2.3"		Unit: MM
	Tolerance:	Material:	Finish:
		Scale:	No. piece:
	Angular:	Rev: 5	Name: C.L



	Title: Lens for screen 2.3"		Unit: MM	
	Tolerance: .xxx +/- .050"	Material: Acrylic	Finish: Clear	
		Scale:	No. piece: A2300	Date: 2021-10-01
		Rev: 5	Name: C.L	Page: 1/1
Angular: .xx +/- .5				