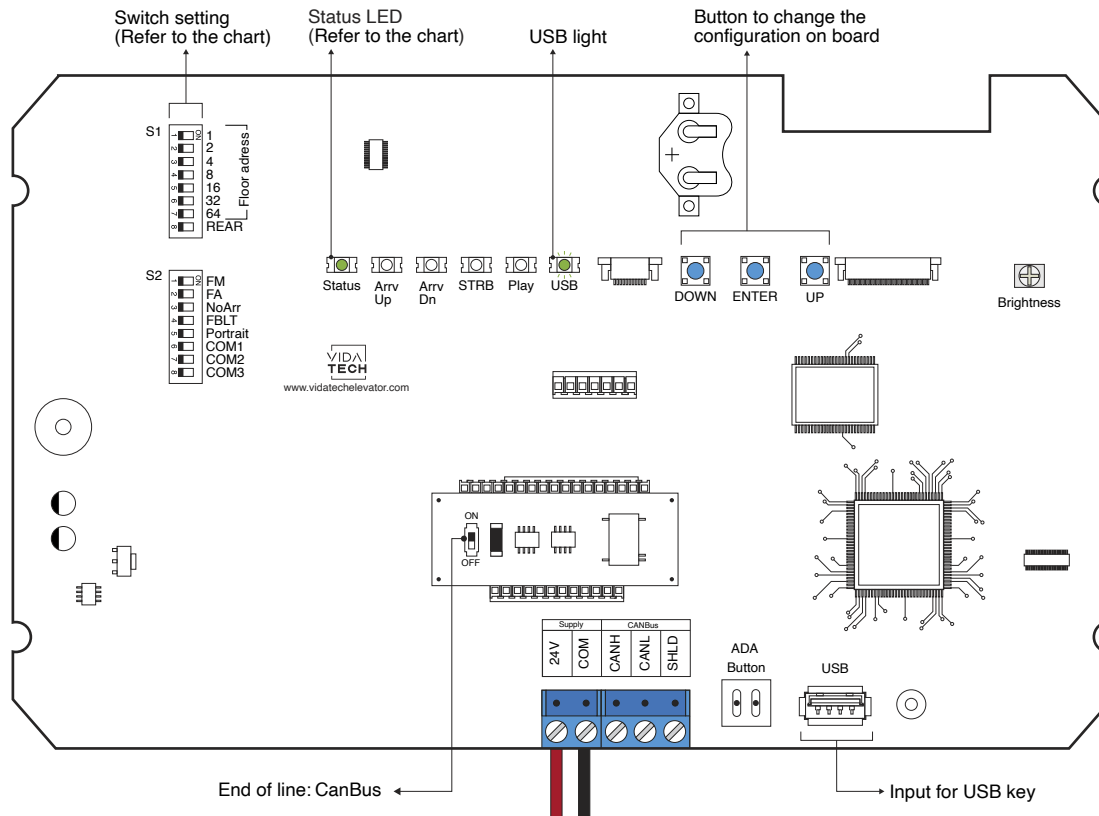


F1020 – CANBus 10” LCD indicator

Installation manual



- Supply must be between 16VDC to 30VDC.
- Must be installed in COP
- Brightness of the LCD is controlled by “brightness” potentiometer.
- Press “ENTER” to go the main menu of the LCD, then navigate with “UP/DOWN” switches. Refer to F7022 operation manual on our website.
- Status LED :

Status LED	Description
Steady	No communication
Slow Blink	System error
Fast Blink	Communication active with no error

▪ Switch setting :

SW #	#	Text	Description																																				
S1	Floor Address		0	1	2	3	4	5	6	7	8	9	10	11	12	13	14	15	16	17	18	19	20	21	22	23	24	25	26	27	28	29	30	31	32				
	1	1	•		•		•		•		•		•		•		•		•		•		•		•		•		•		•		•		•		•		
	2	2			•	•			•	•			•	•			•	•			•	•			•	•			•	•			•	•			•		
	3	4					•	•	•	•					•	•	•	•					•	•	•	•					•	•	•	•			•		
	4	8									•	•	•	•	•	•	•	•										•	•	•	•	•	•	•	•	•	•	•	
	5	16																																					
	6	32																																					•
	7	64																																					
8	REAR	ON -> Installed on the rear																																					
S2	1	FM	ON -> Blank the display in fire mode																																				
	2	FA	ON -> Blank the display in fire alternate mode																																				
	3	NoArr	ON -> Blank the arrow																																				
	4	FBLT	ON -> 100% backlight intensity OFF -> 80% backlight intensity (Backlight life enhanced)																																				
	5	Portrait	ON -> Portrait mode (If existing within the config)																																				
		Communication	CAN Vidatech	CAN JRT				CAN GAL				CAN elevator controls				CAN TKE				CAN Smartrise																			
	6	COM1		•					•					•					•																				
	7	COM2							•					•																									
8	COM3												•					•																					