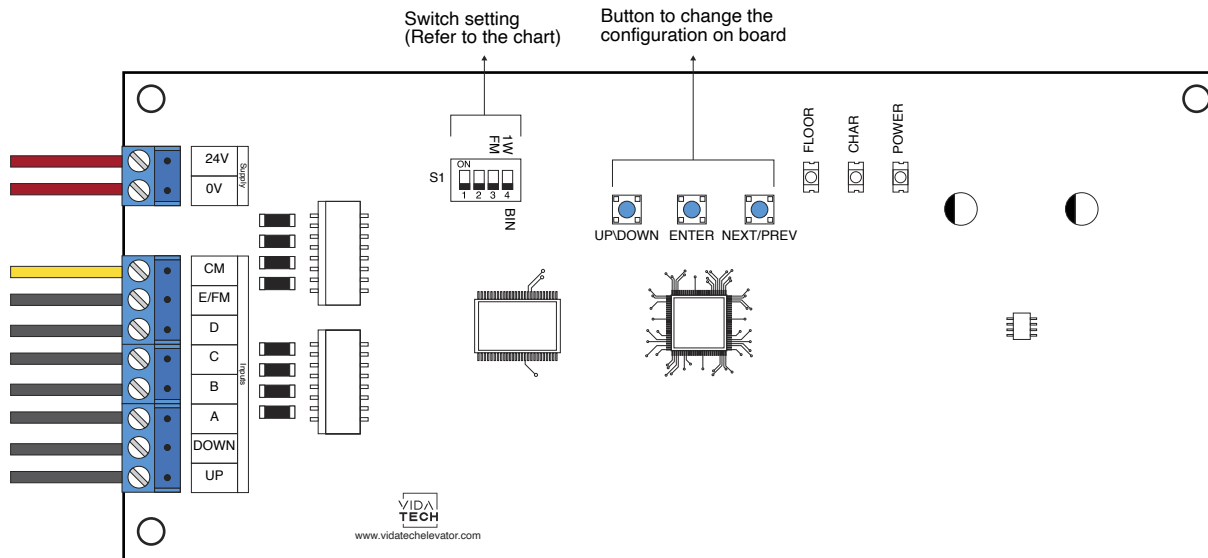


S2300-XX – Binary input 2.3” position indicator

Installation manual



- Supply must be between 16VDC to 30VDC.
- To edit the configuration of the floors on board:
 1. Press the “ENTER” button.
 2. Press “NEXT/PREV” to select the floor to modify.
 3. Press “ENTER” to confirm the floor to modify.
 4. Press “UP/DOWN” to select the right character to display.
 5. Press “ENTER” to confirm the new character.
 6. Repeat the two previous step for the second and third character. Once completed, the indicator will show “OK” and return to normal mode.
- Switch setting :

SW #	#	Text	Description
S1	1		
	2		
	3	FM	ON -> Blank the display in fire mode.
	4	BIN	ON -> Inputs are in binary mode. OFF -> Inputs are in one wire mode.