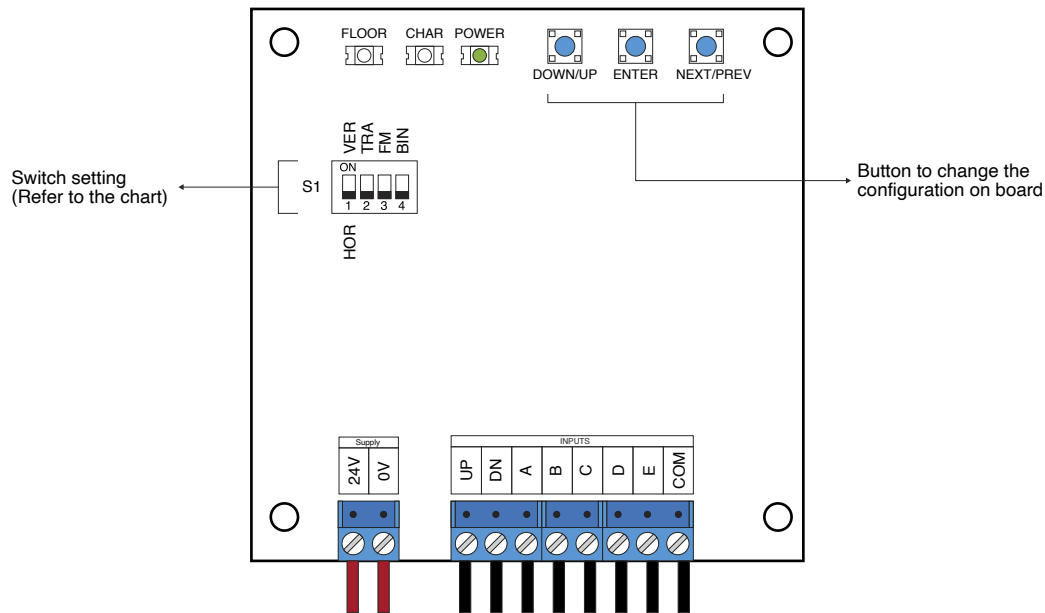


S1200-3X – Binary input mini position indicator

Installation manual



- Supply must be between 16VDC to 30VDC.
- To edit the configuration of the floors on board:
 1. Press the ENTER button.
 2. Press NEXT/PREV to select the floor to modify.
 3. Press ENTER to confirm the floor to modify.
 4. Press UP/DOWN to select the right character to display.
 5. Press ENTER to confirm the new character.
 6. Repeat the two previous step for the second and third character. Once completed, the indicator will show OK and return to normal mode.
- Switch setting :

SW #	#	Texte	Description
S1	1	VER/HOR	ON -> Characters are displayed vertically. A maximum of two characters can be displayed. OFF -> Characters are displayed horizontally.
	2	TRA	ON -> Transition mode is active.
	3	FM	ON -> Blank the display in fire mode.
	4	BIN	ON -> Inputs are in binary mode. OFF -> Inputs are in one wire mode.