

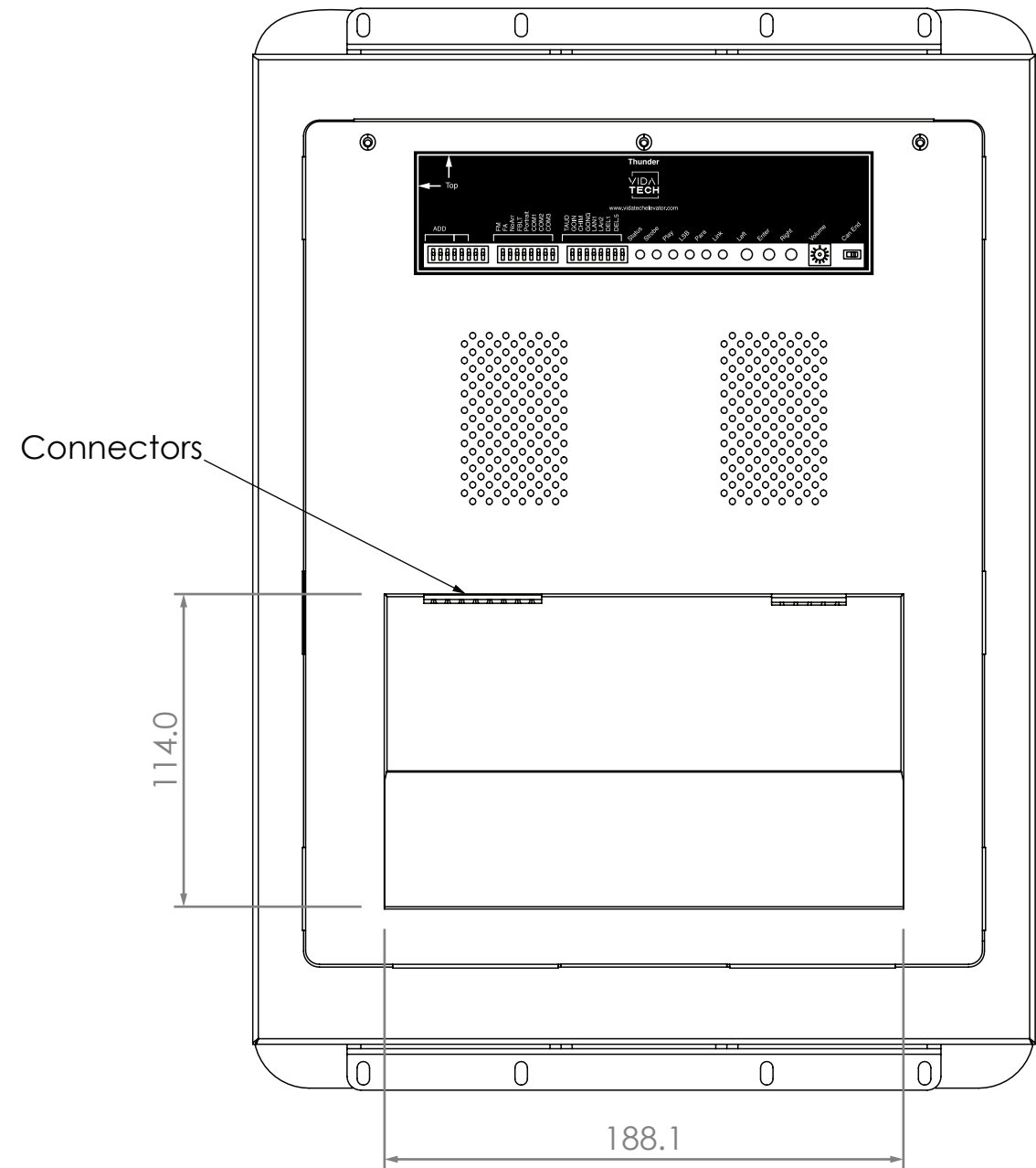
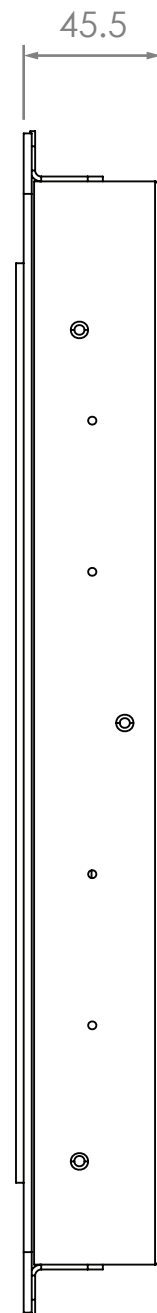
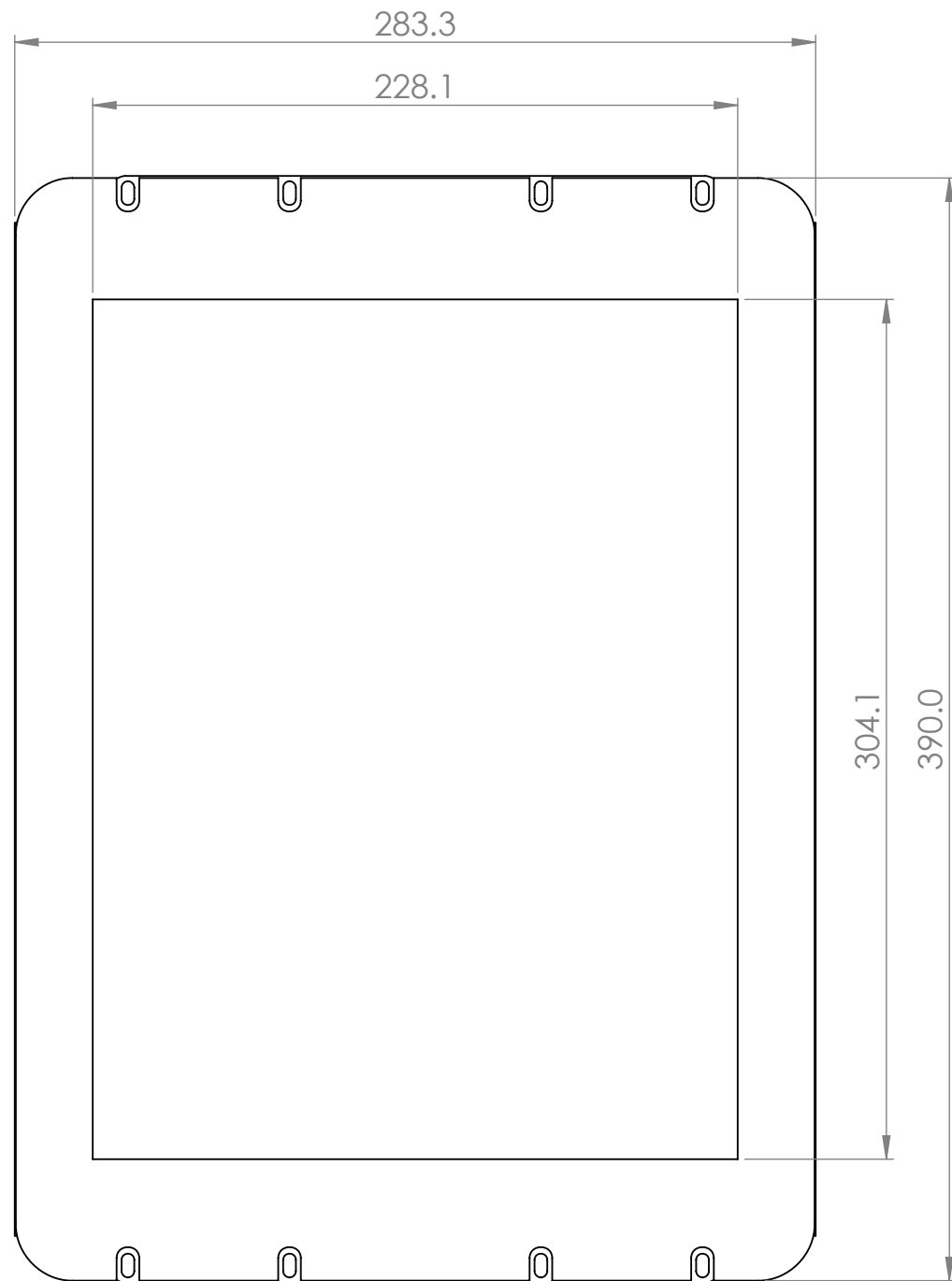
- Up to 12 minutes 38 seconds of message time.
- .via files are for audio configuration. Only one .via file must be present on the USB dongle.
- .via and visual files must be place on the root of a USB dongle, then connected to a powered voice until the USB light stops blinking.
- Must be installed in COP.
- Brightness of the LCD is controlled by “brightness” potentiometer.
- Volume of the voice annunciator is controlled by “volume” potentiometer.
- Press “ENTER” to go the main menu of the LCD, then navigate with “UP/DOWN” switches. Refer to the operation manual on our website.
- Status LED :

Status LED	Description
Steady	No communication
Slow Blink	System error
Fast Blink	Communication active with no error

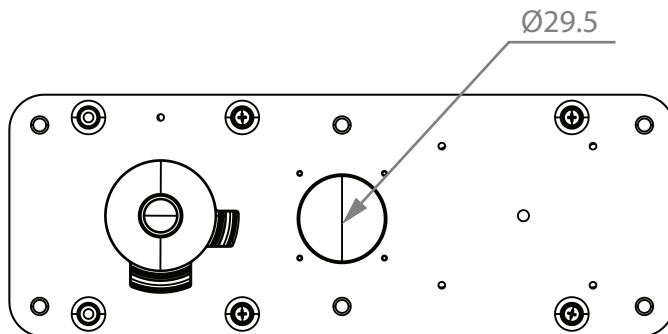
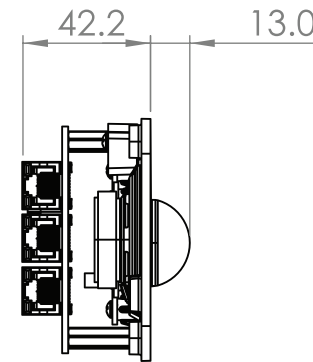
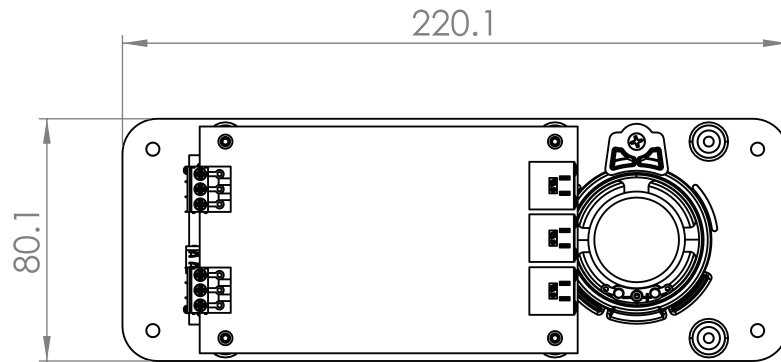
- Switch setting :

SW #	#	Text	Description					
S1	1-6	AD	Insert an Address table					
	7		NC					
	8		NC					
S2	1	FM	ON -> Blank the display in fire mode					
	2	FA	ON -> Blank the display in fire alternate mode					
	3	NoArr	ON -> Blank the arrow					
	4	FBLT	ON -> 100% backlight intensity OFF -> 80% backlight intensity (Backlight life enhanced)					
	5	Portrait	ON -> Portrait mode (If existing within the config)					
	Communication		CAN Vidatech	CAN JRT	CAN GAL	CAN elevator controls	CAN TKE	CAN Smartrise
	6	COM1		●		●		●
	7	COM2			●	●		
	8	COM3					●	●
	S3	1	TAUD	ON -> Play all audio file saved in memory				
2		GOING	ON -> Going Up/Dn active					
3		CHIM	ON -> Passing Chime active					
4		GONG	ON -> Cabin gong active					
Language		French	English	1 - French 2 - English		1 - French 2 - English		
5		LAN1		●				●
6		LAN2				●		●
7		DEL1	ON -> Add 1 second of silence after the strobe					
8		DEL5	ON -> Add 0.5 second of silence after the strobe					

- **Play Test option (TAUD):** The device will play each voice file saved in the system in loop and will display the ASCII associated with the file playing.
- **Going Option (GOING):** The voice will play the file associated with the type “Going UP” or “Going Down” when STRB is asserted and TRV UP or TRV DN.
- **Chime Option (CHIM):** The voice will play the file associated with the type “CHIME” each time the stair are changing.
- **Gong Option (GONG):** The voice will play the file associated with the type “Gong UP” or “Gong Down” when ARR DN or ARR UP are asserted.



VIDA TECH	Title: Thunder 15" Screen			Unit: MM
	Tolerance:	Material:	Finish:	
	Scale:	1:2	No. piece:	Date:
	Angular:	1	Name:	Page:
			N/A	2024-05-14
				1/1



	Title: Camera module with switch			Unit: MM
	Tolerance:	Material:	Finish:	
		Scale: 1:2	No. piece: N/A	Date: 2024-05-02
		Rev: 1.0	Name:	Page: 1/1
Angular:				