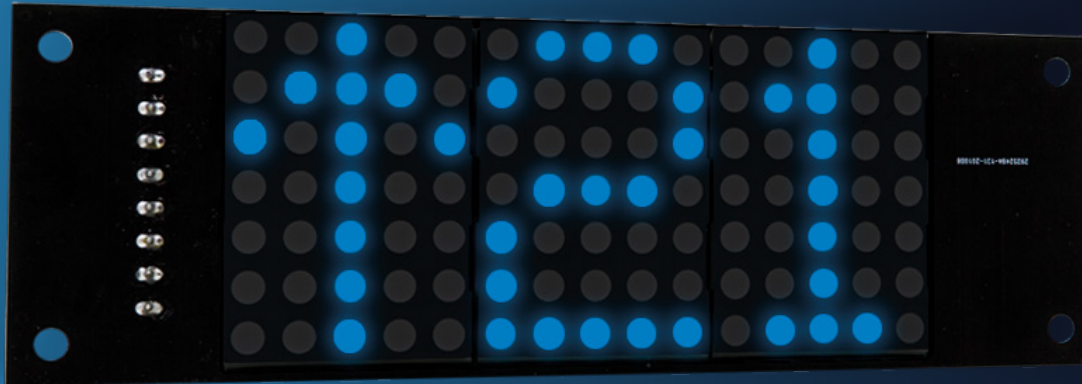


# SPARK S21X0-3X

2.1" Dot Matrix position indicators



## Applications

Car-OP position indicator  
Hall position indicator



## Display features

15 x 7 Matrix  
Available in blue, red, white and amber  
Automatic centering  
Up to 3 Digits  
Optional scrolling mode  
Landscape/Portrait



917 Mgr Grandin, Suite 304B  
Quebec City  
Québec, Canada G1V 3X8

1 418 476-4802  
info@vidatechelevator.com

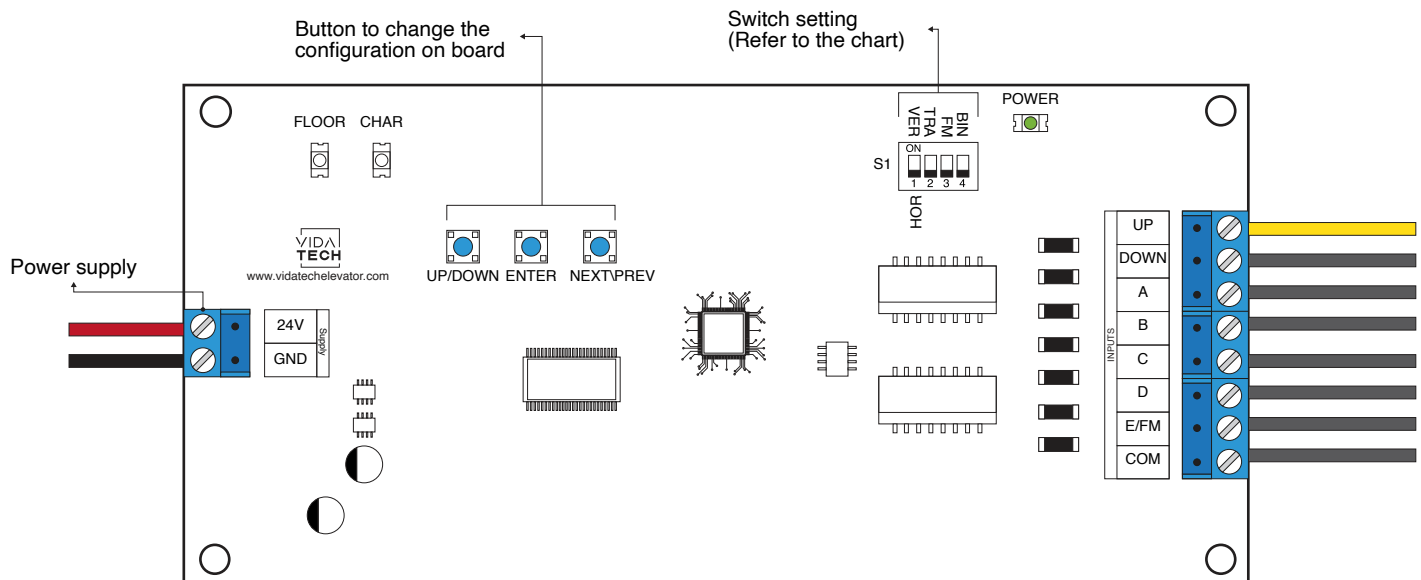
TO ORDER :

## S21X0-3X

Input  
"0" : Discrete  
"2" : CANBus

Color  
"R" : Red  
"B" : Blue  
"A" : Amber  
"W" : White

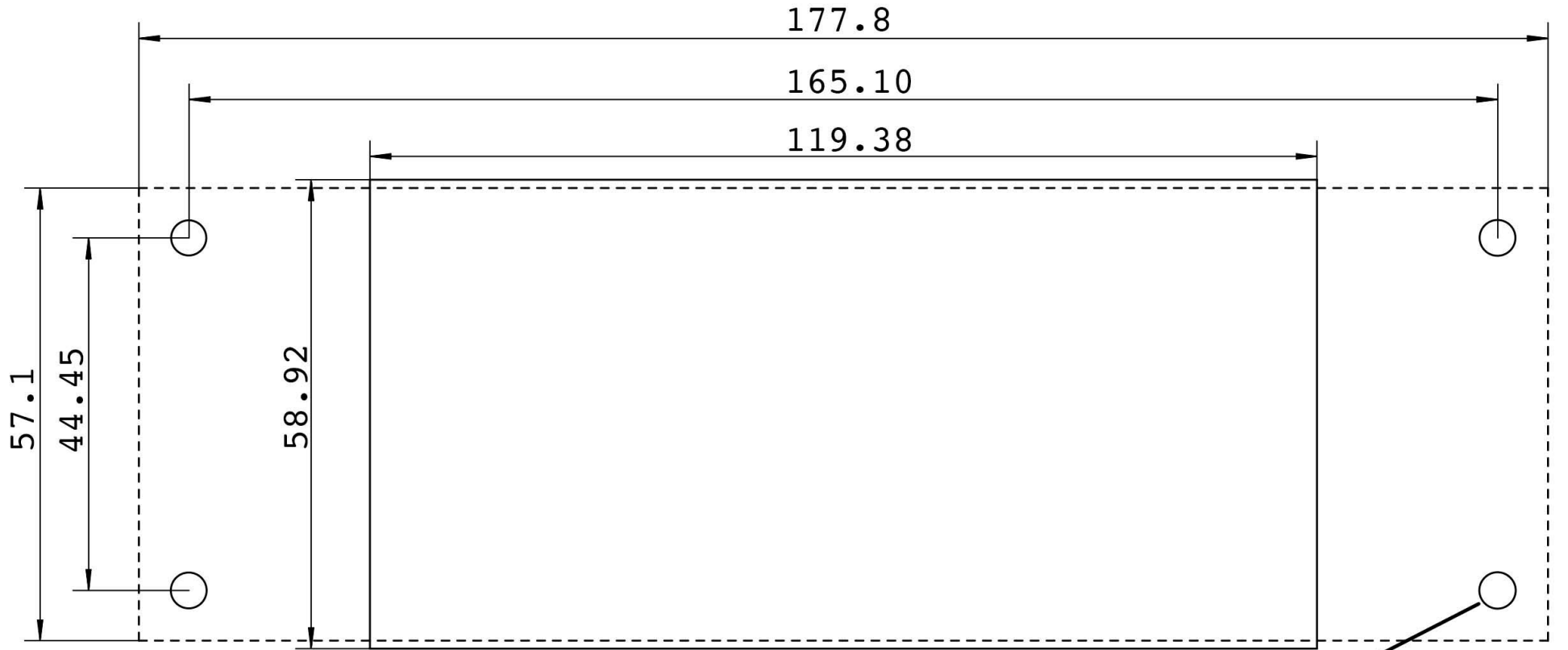
# S2100-3X – Binary input position indicator



- Supply must be between 16VDC to 30VDC.
- To edit the configuration of the floors on board:
  1. Press the ENTER button.
  2. Press NEXT/PREV to select the floor to modify.
  3. Press ENTER to confirm the floor to modify.
  4. Press UP/DOWN to select the right character to display.
  5. Press ENTER to confirm the new character.
  6. Repeat the two previous step for the second and third character. Once completed, the indicator will show OK and return to normal mode.
- Switch setting :


SW #	#	Text	Description
S1	1	VER/HOR	ON -> Characters are displayed vertically. A maximum of two characters can be displayed. OFF -> Characters are displayed horizontally.
	2	TRA	ON -> Transition mode is active.
	3	FM	ON -> Blank the display in fire mode.
	4	BIN	OFF -> Inputs are in binary mode. ON -> Inputs are in one wire mode.

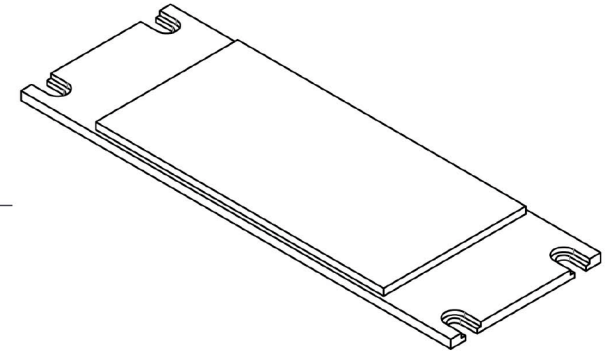
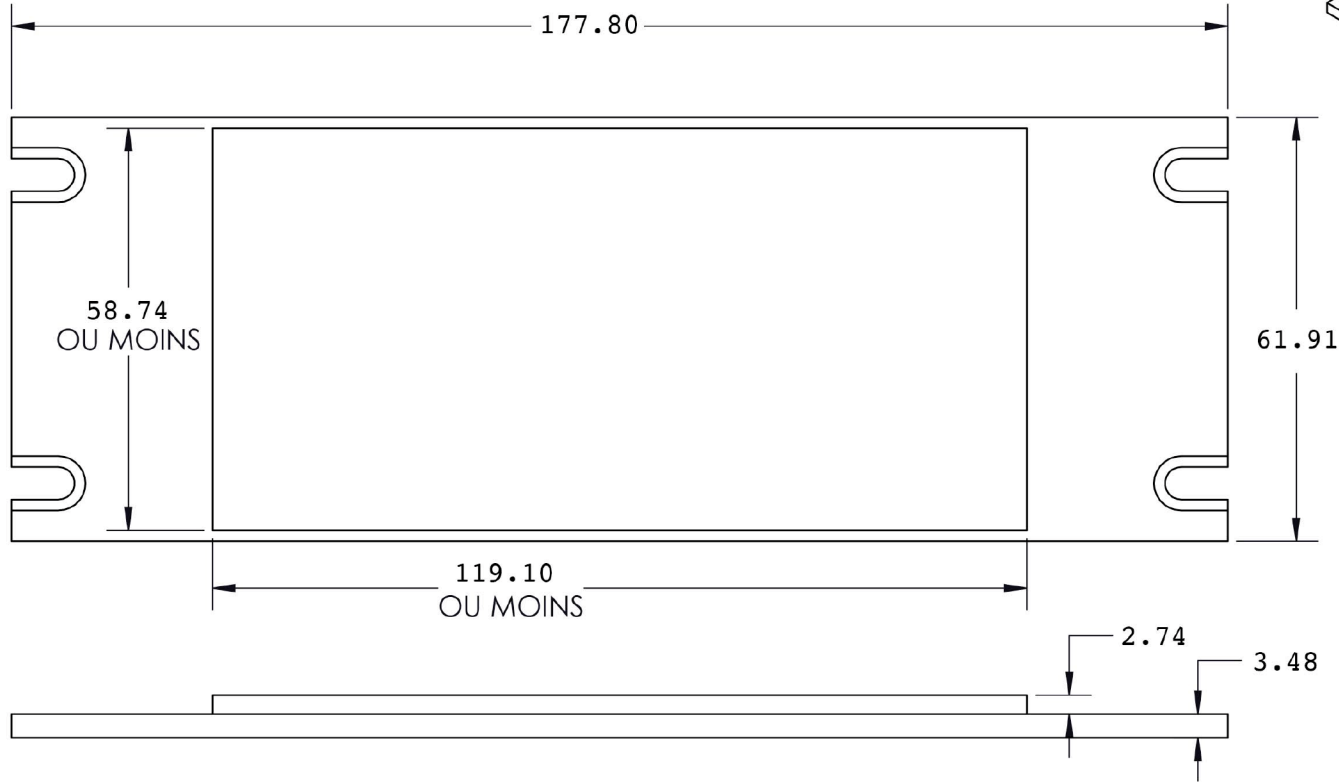




#6-32 STUD

Board thickness: 24.5 (including lens)

	Title: Face plate cutout detail Spark PI 2.1"			Unit: MM
	Tolerance:	Material:	Finish:	
		Scale:	No. piece:	Date:
	Angular:	Rev: 5	Name: C.L	Page:



	Title: Lens for screen 2.1"		Unit: MM	
	Tolerance: .xxx +/- .015"	Material: Acrylic	Finish: Clear	
		Scale:	No. piece: A2100	Date: 2021-10-01
	Angular: .xx +/- .5	Rev: 5	Name: C.L	Page: 1/1