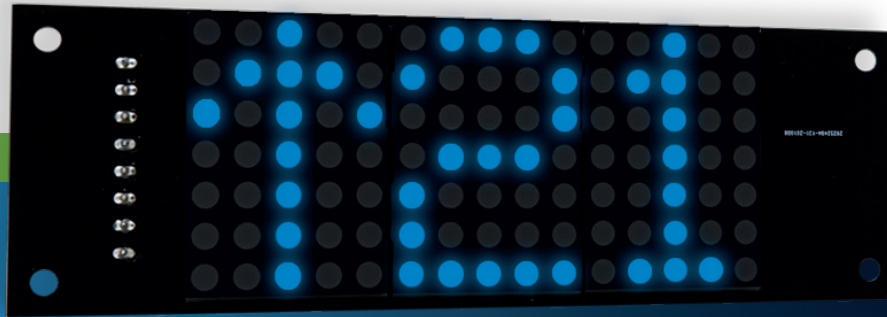


SPARK S2100-3X

2.1" Dot Matrix position indicators



Applications

Car-OP position indicator
Hall position indicator



Display features

15 x 7 Matrix
Available in blue, red, white and amber
Automatic centering
Up to 3 Digits
Optional scrolling mode
Landscape/Portrait



917 Mgr Grandin, Suite 304B
Quebec City
Québec, Canada G1V 3X8

1 418 476-4802
info@vidatechelevator.com

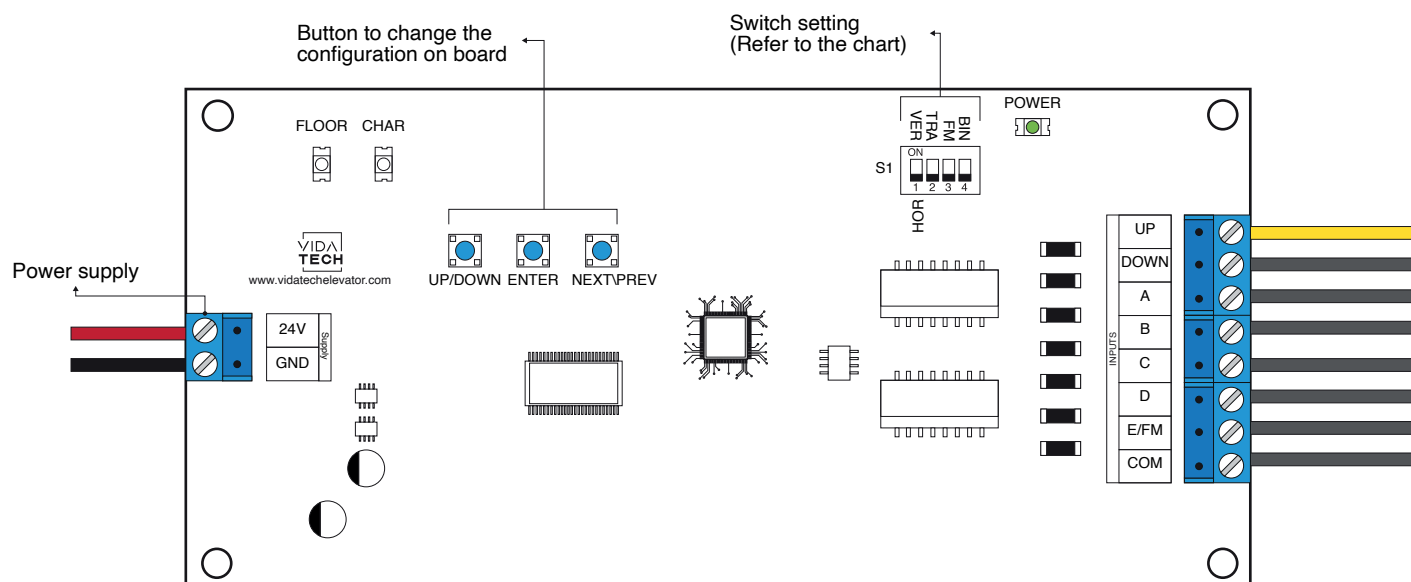
TO ORDER :

S21X0-3X

Input
"0" : Discrete
"2" : CANBus + vPixel

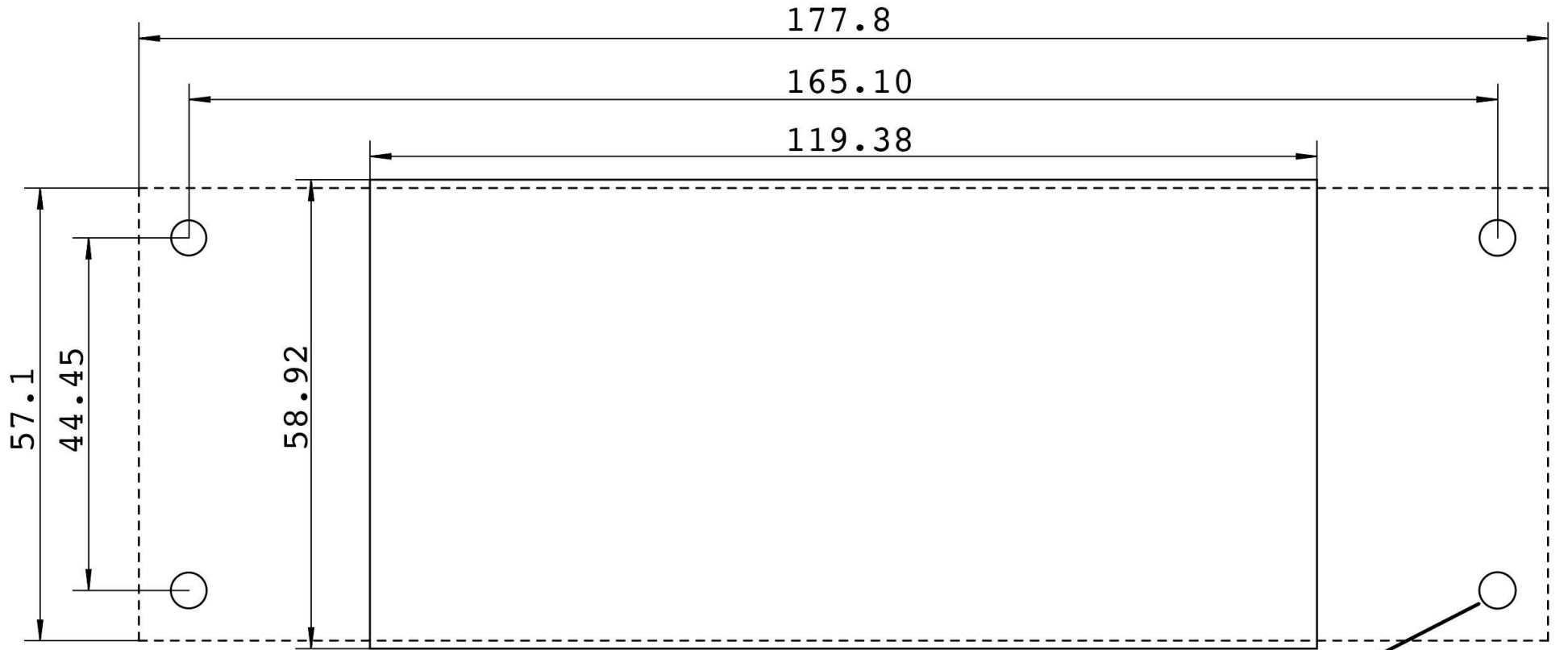
Color
"R" : Red
"B" : Blue
"A" : Amber
"W" : White

S2100 – Binary input position indicator



- Supply must be between 16VDC to 30VDC.
- To edit the configuration of the floors on board:
 1. Press the ENTER button.
 2. Press NEXT/PREV to select the floor to modify.
 3. Press ENTER to confirm the floor to modify.
 4. Press UP/DOWN to select the right character to display.
 5. Press ENTER to confirm the new character.
 6. Repeat the two previous step for the second and third character. Once completed, the indicator will show OK and return to normal mode.
- Switch setting :

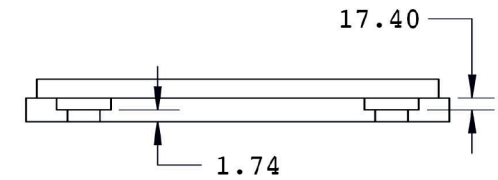
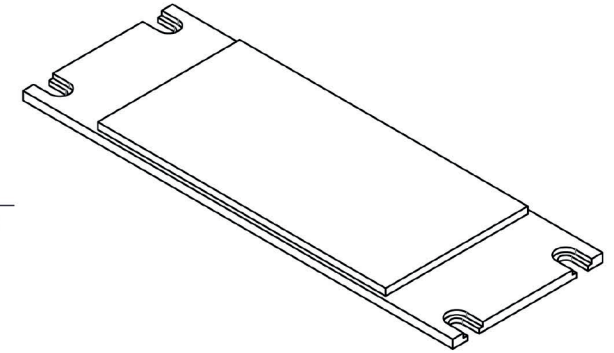
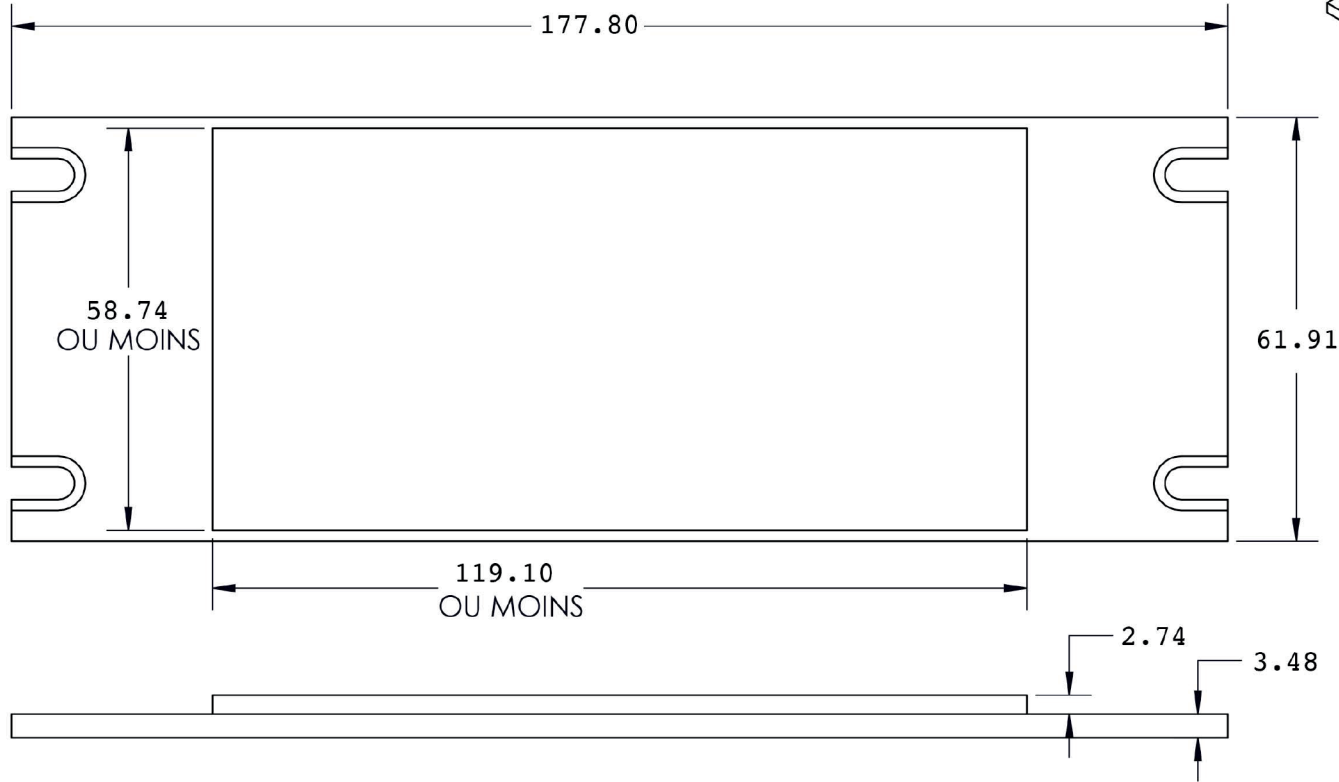
SW #	#	Text	Description
S1	1	VER/HOR	ON -> Characters are displayed vertically. A maximum of two characters can be displayed. OFF -> Characters are displayed horizontally.
	2	TRA	ON -> Transition mode is active.
	3	FM	ON -> Blank the display in fire mode.
	4	BIN	ON -> Inputs are in binary mode. OFF -> Inputs are in one wire mode.



#6-32 STUD

Board thickness: 24.5 (including lens)

	Title: Face plate cutout detail Spark PI 2.1"		Unit: MM
	Tolerance:	Material:	Finish:
		Scale:	No. piece:
	Angular:	Rev: 5	Name: C.L



	Title: Lens for screen 2.1"		Unit: MM	
	Tolerance: .xxx +/- .015"	Material: Acrylic	Finish: Clear	
		Scale:	No. piece: A2100	Date: 2021-10-01
	Angular: .xx +/- .5	Rev: 5	Name: C.L	Page: 1/1