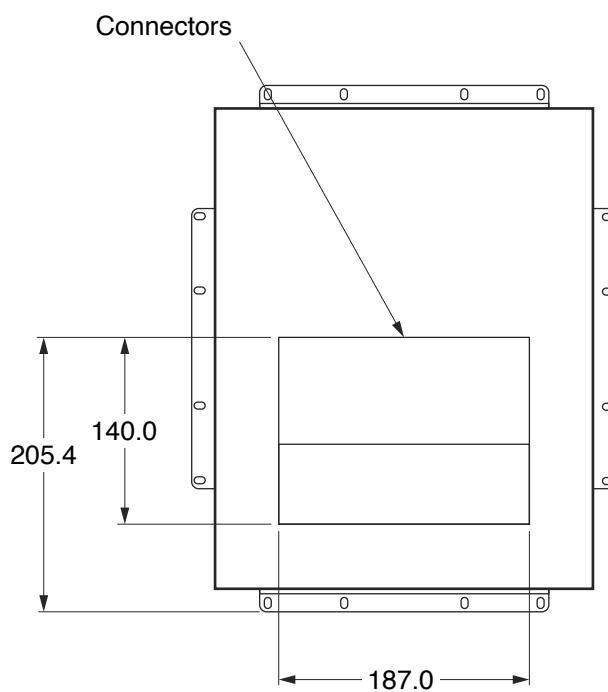
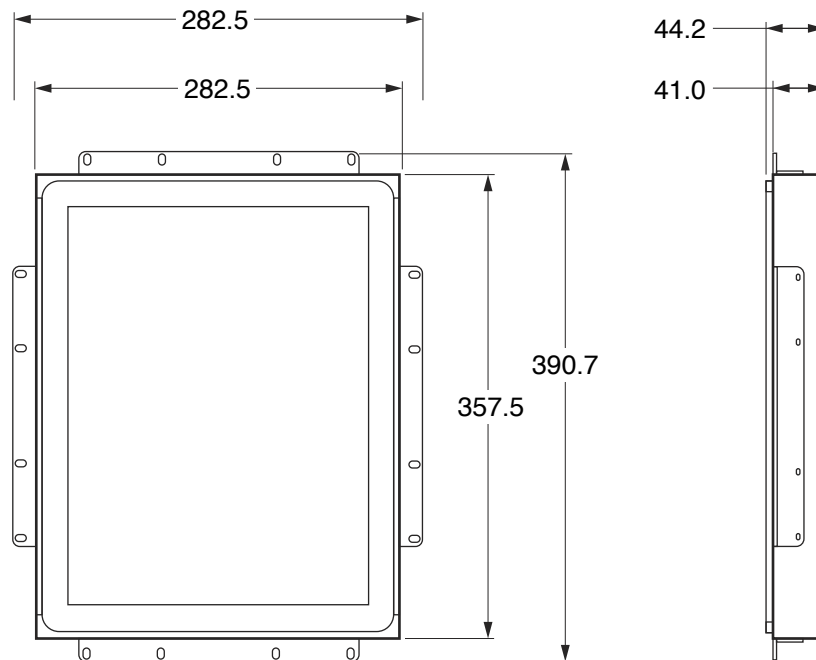


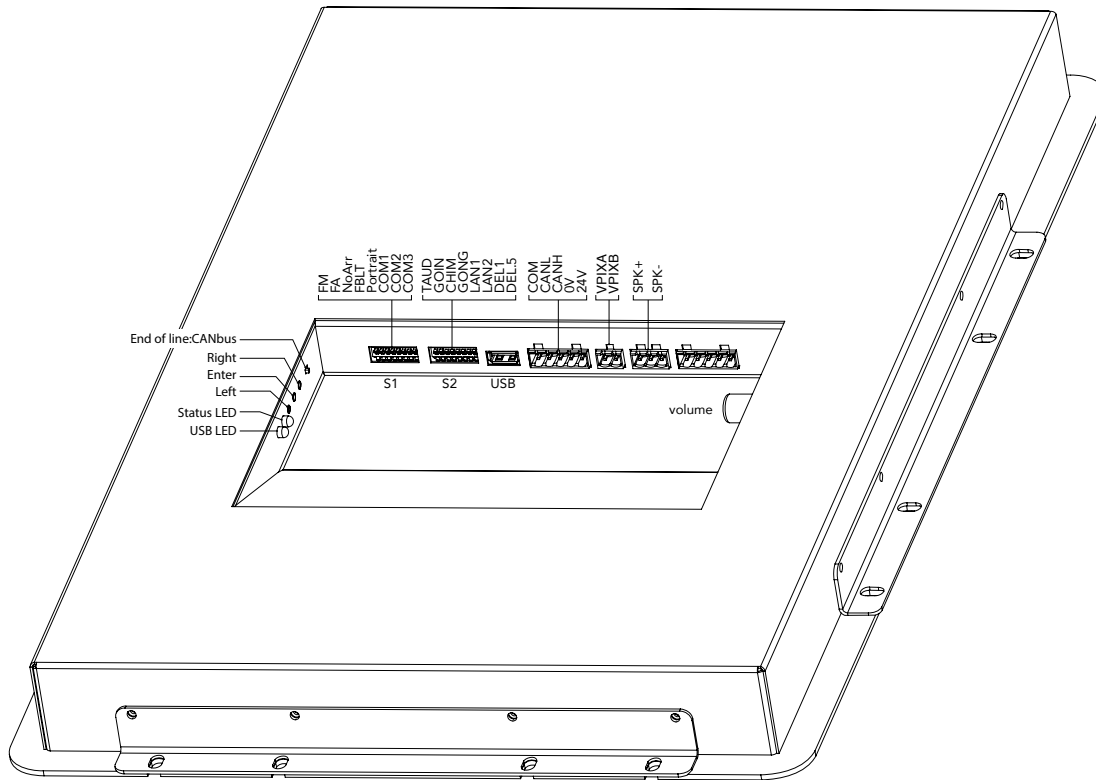
B1562 – CANBus/vPixel 15” Touchscreen

Installation manual

• Dimensions (mm) :



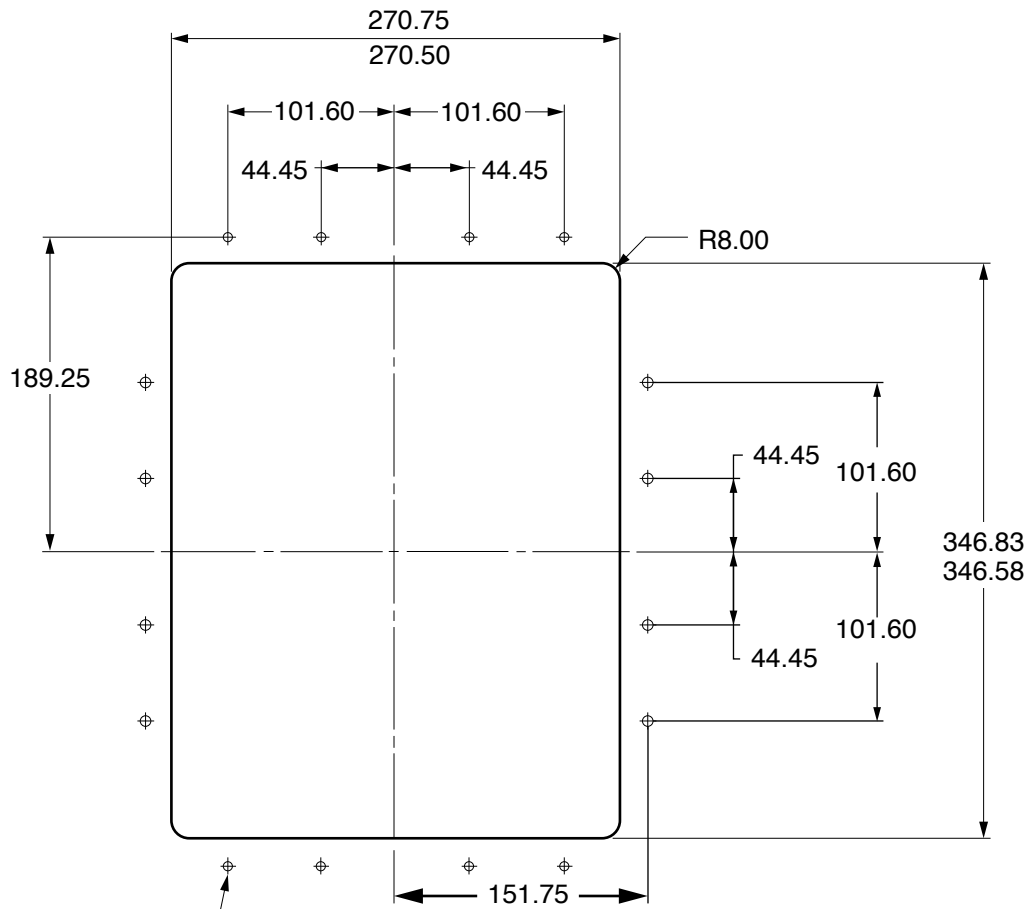
• Connections :



- Supply Voltage: 16VDC to 30 VDC.
- Supply Current: Minimum 1000mA.
- Switches Setting:

SW #	#	Text	Description					
S1	1	FM	ON -> Blank the display in fire mode					
	2	FA	ON -> Blank the display in fire alternate mode					
	3	NoArr	ON -> Blank the arrow					
	4	FBL	ON -> 100% backlight intensity OFF -> 80% backlight intensity (Backlight life enhanced)					
	5	Portrait	ON -> Screen rotation in portrait mode					
	Communication		CAN Vidatech	CAN JRT	CAN GAL	CAN elevator controls	CAN TKE	CAN Smartrise
	6	COM1		●		●		●
	7	COM2			●	●		
8	COM3					●	●	
S2	1	TAUD	ON -> Play all audio file saved in memory					
	2	GOING	ON -> Going Up/Dn active					
	3	CHIM	ON -> Passing Chime active					
	4	GONG	ON -> Cabin gong active					
	Langue		French	English	1 - French 2 - English		1 - English 2 - French	
	5	LAN1		●				●
	6	LAN2				●		●
	7	DEL1	ON -> Add 0.5 second of silence after the strobe					
8	DEL5	ON -> Add 1 second of silence after the strobe						

• Faceplate Cutout (mm) :



#6-32 X 1/2" STUD MIN
8 PLACES