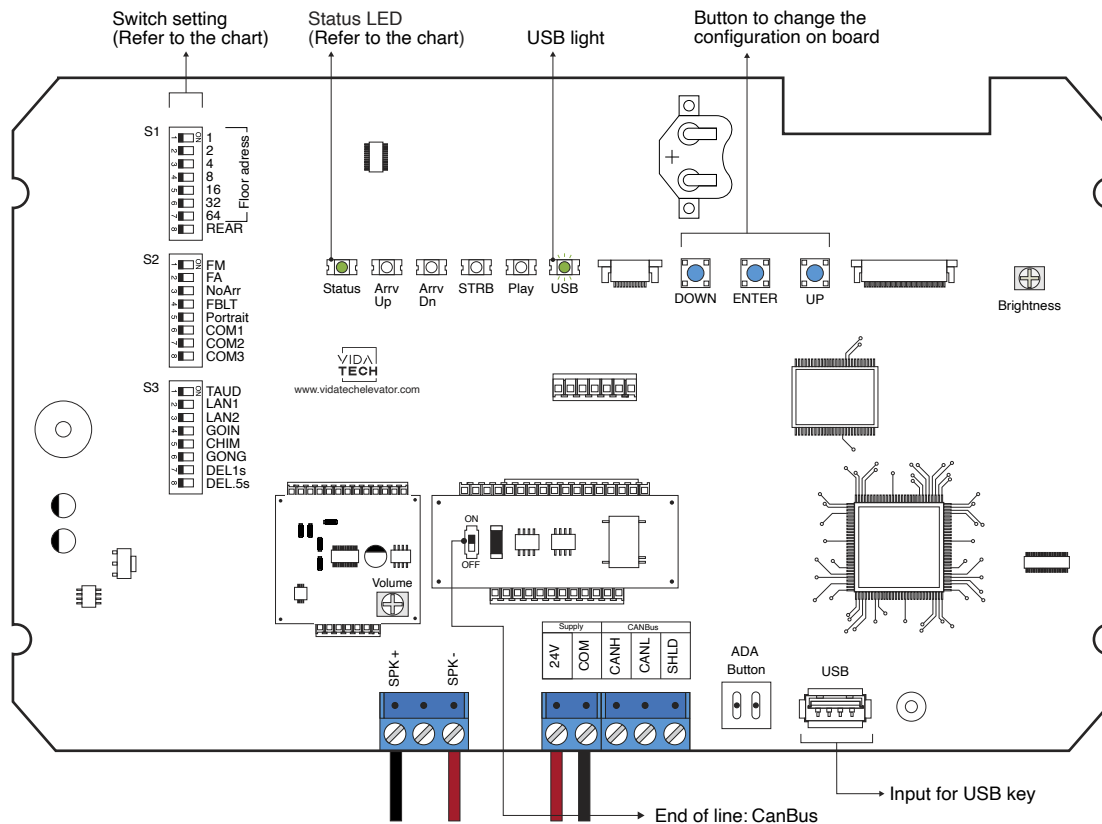


F1022 – CANBus 10” LCD indicator with voice

Installation manual



- Supply must be between 16VDC to 30VDC.
- Speaker must be 4Ω to 45Ω, 5Watts minimum.
- Up to 12 minutes 38 seconds of message time.
- Speaker wire length must be less than 500 feet to prevent noise.
- .via files are for audio configuration. Only one .via file must be present on the USB dongle.
- .via and visual files must be placed on the root of a USB dongle, then connected to a powered voice until the USB light stops blinking.
- Must be installed in COP.
- Brightness of the LCD is controlled by “brightness” potentiometer.
- Volume of the voice annunciator is controlled by “volume” potentiometer.
- Press “ENTER” to go to the main menu of the LCD, then navigate with “UP/DOWN” switches. Refer to F7022 operation manual on our website.

This screen manages special messages

