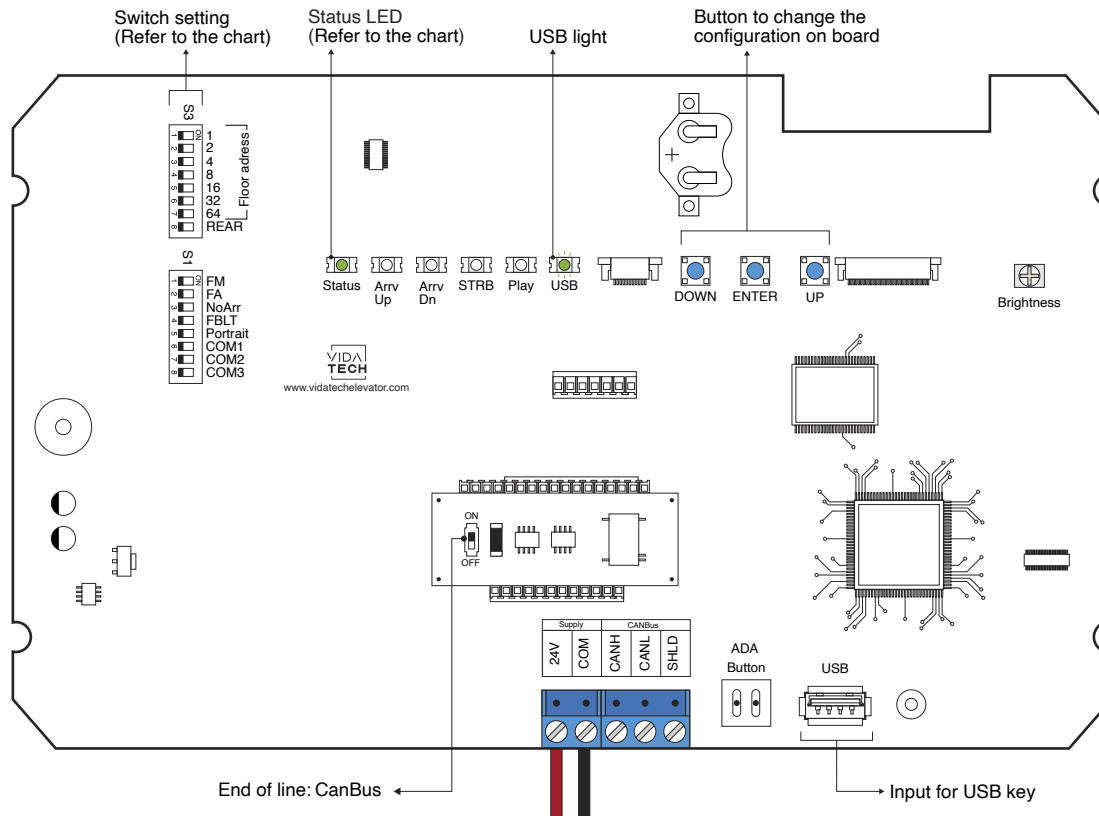


F1020 – CANBus 10” LCD indicator

Installation manual



- Supply must be between 16VDC to 30VDC.
- Must be installed in COP
- Brightness of the LCD is controlled by “brightness” potentiometer.
- Press “ENTER” to go the main menu of the LCD, then navigate with “UP/DOWN” switches. Refer to F7022 operation manual on our website.
- Status LED :

Status LED	Description
Steady	No communication
Slow Blink	System error
Fast Blink	Communication active with no error

• Switch setting :

SW #	#	Text	Description																																			
S1	1	FM	ON -> Blank the display in fire mode																																			
	2	FA	ON -> Blank the display in fire alternate mode																																			
	3	NoArr	ON -> Blank the arrow																																			
	4	FBLT	ON -> 100% backlight intensity OFF -> 80% backlight intensity (Backlight life enhanced)																																			
	5	Portrait	ON -> Portrait mode (If existing within the config)																																			
	Communication		CAN Vidatech	CAN JRT				CAN GAL				CAN elevator controls				CAN TKE				CAN Smartrise																		
	6	COM1		●								●								●																		
	7	COM2						●				●																										
8	COM3														●				●																			
S3	Adresse Floor		0	1	2	3	4	5	6	7	8	9	10	11	12	13	14	15	16	17	18	19	20	21	22	23	24	25	26	27	28	29	30	31	32			
	1	1		●		●		●		●		●		●		●		●		●		●		●		●		●		●		●		●		●		●
	2	2			●	●			●	●			●	●			●	●			●	●			●	●			●	●			●	●			●	
	3	4					●	●	●	●					●	●	●	●					●	●	●	●					●	●	●	●			●	
	4	8									●	●	●	●	●	●	●	●												●	●	●	●	●	●	●	●	●
	5	16																		●	●	●	●	●	●	●	●	●	●	●	●	●	●	●	●	●	●	
	6	32																																				●
	7	64																																				
8	REAR	ON -> Installed on the rear																																				