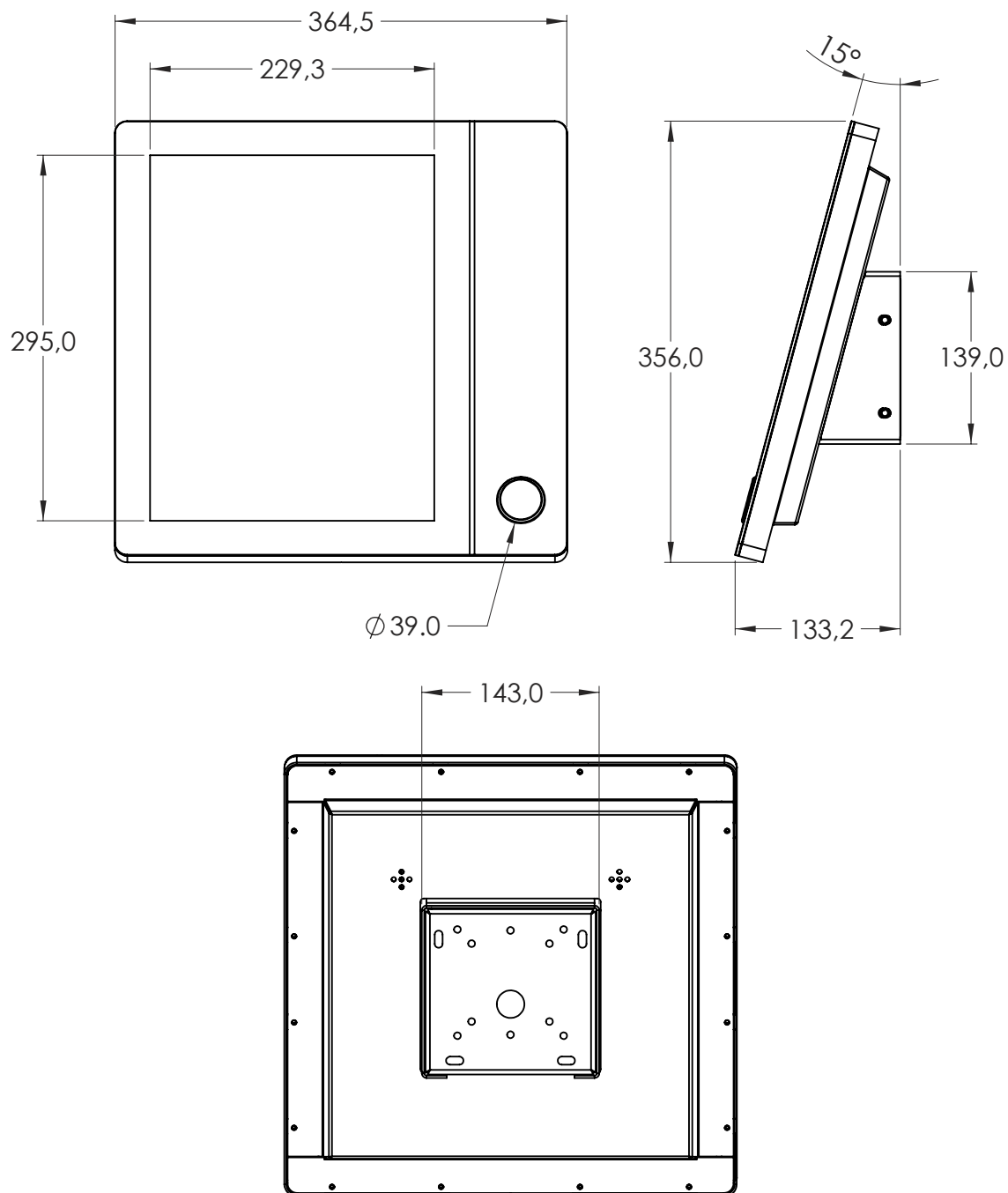


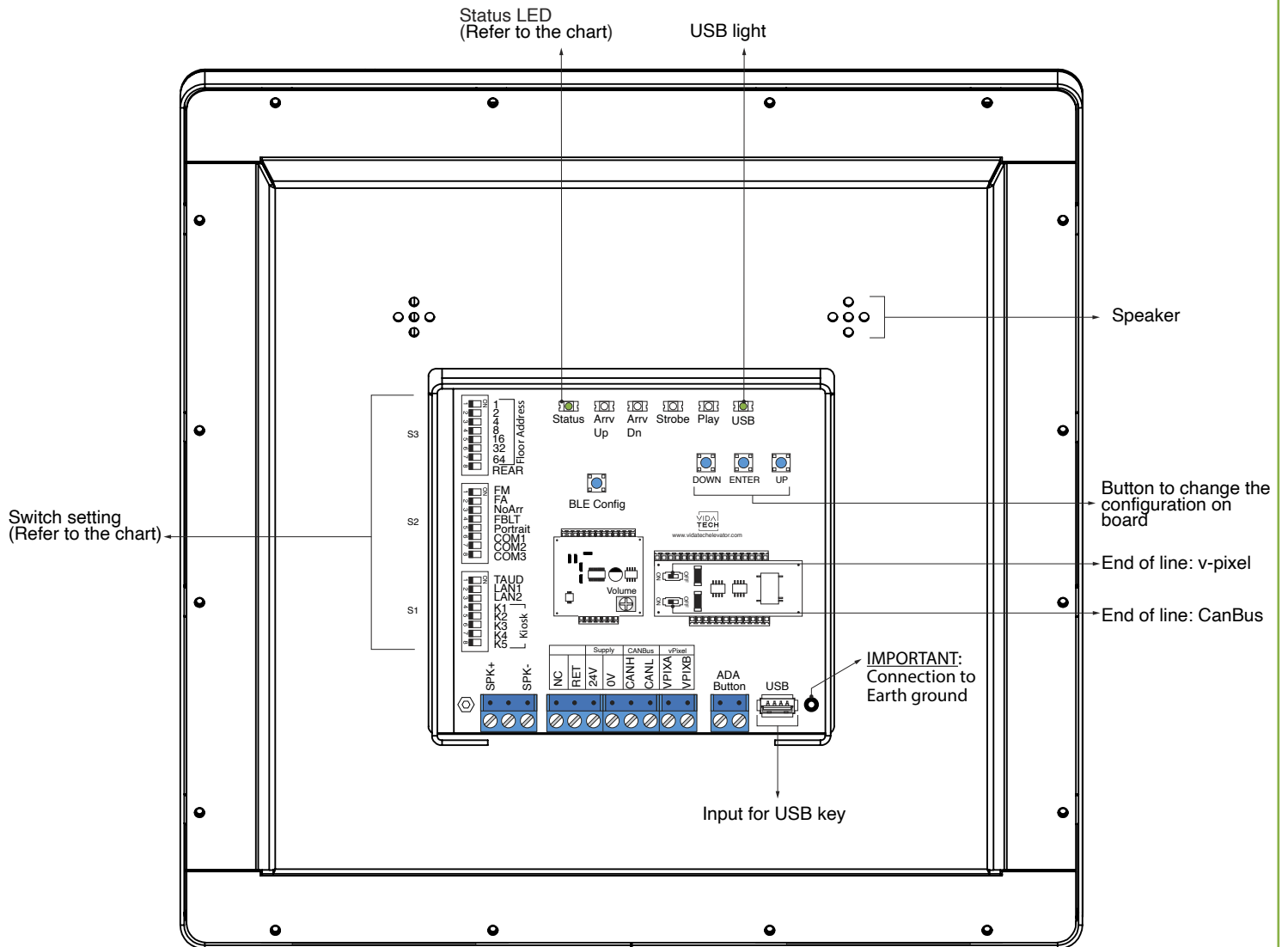
B1562-DXX – CANBus 15” Touch Destination Dispatch with surface enclosure

Installation manual

• Dimensions (mm) :



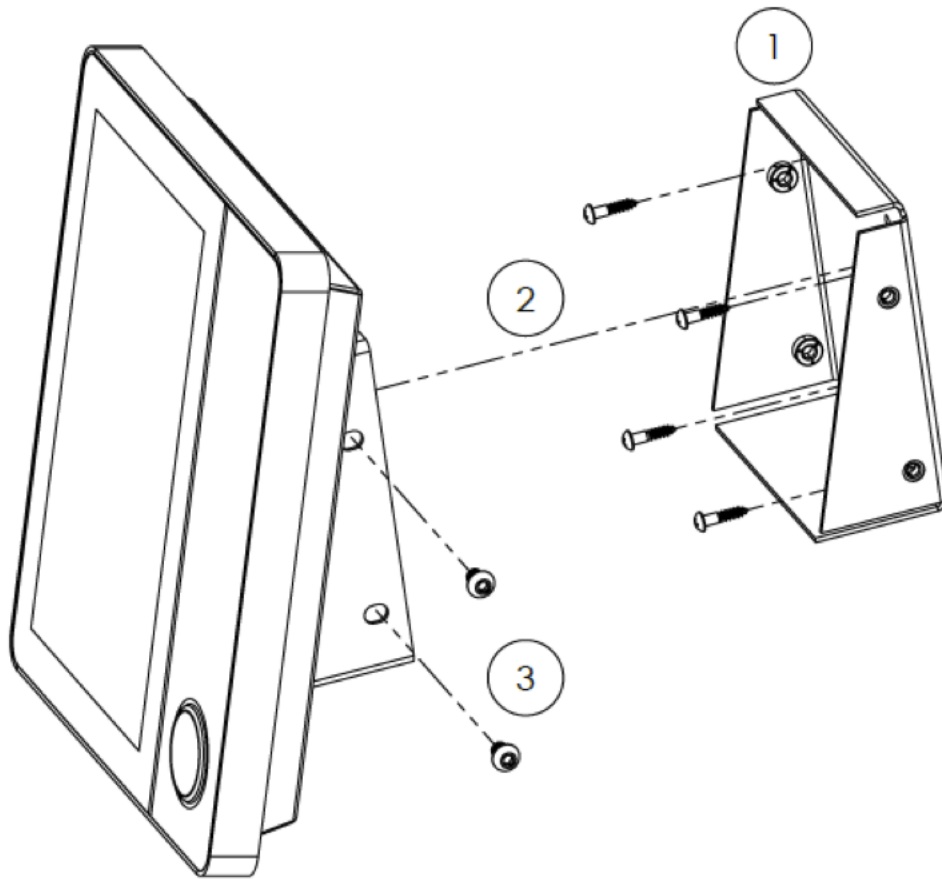
• Connectons :



Supply Voltage	16 - 30 VDC
Supply Current	600mA Max
Resolution	768 x 1024
Color Depth	65,536
Viewing Angle	85 deg
Status LED	Steady = No communication Slow Blink = System error Fast Blink = Communication active - No error



• Installation steps :



• Installation instructions :

1. Mount the wall bracket and level it.
2. Connect the wires properly, then position the casing on the wall support.
3. Secure the casing with the 4 screws provided.