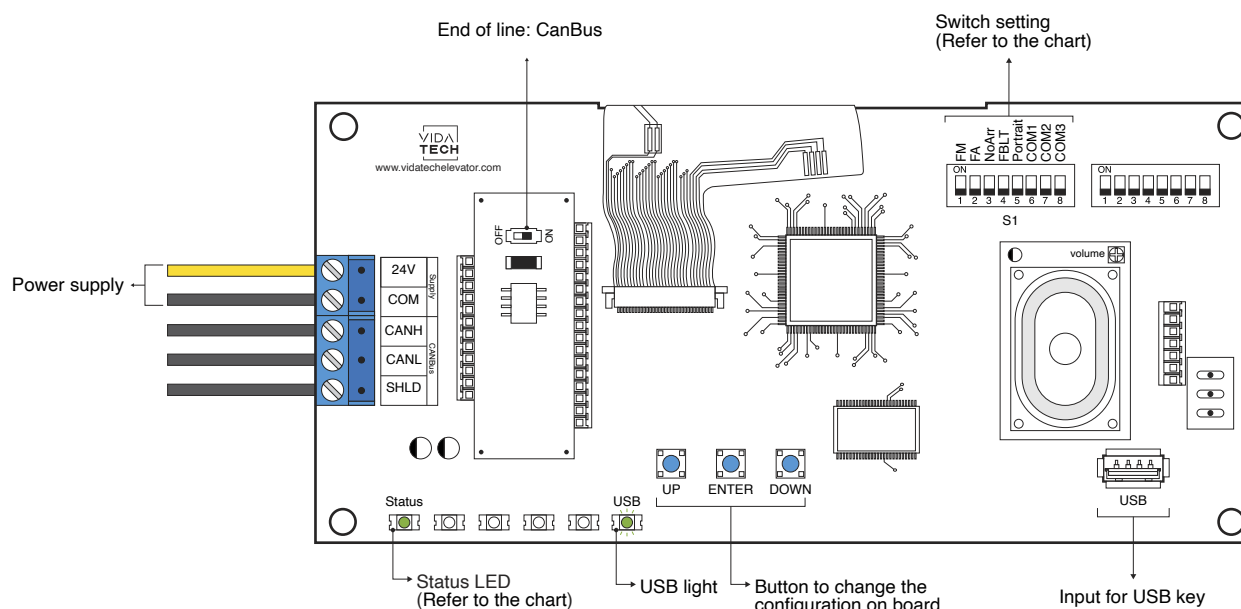


## F4321 – CANBus 4.3” LCD indicator with gong

### Installation manual



- Supply must be between 16VDC to 30VDC.
- VCI and Visual files must be placed on the root of a USB dongle, then connected to a powered indicator until the USB light stops blinking.
- Must be installed in COP or hall fixtures.
- To get the actual configuration of the indicator, connect a void USB dongle, then the configuration will upload into the dongle.
- You can modify the stair digit displayed by the indicator by modifying the .vci file with the Storm software, available on our website.
- You can modify the visual configuration with the Storm software available on our website.
- Press ENTER to go to the main menu of the LCD, then navigate with “UP/DOWN” switches. Refer to F4320 operation manual on our website.

\*This screen manages special messages\*

- Status LED :

Status LED	Description
Steady	No communication
Slow Blink	System error
Fast Blink	Communication active with no error

- Switch setting :

SW #	#	Text	Description					
S1	1	FM	ON -> Blank the display in fire mode					
	2	FA	ON -> Blank the display in fire alternate mode					
	3	NoArr	ON -> Blank the arrow					
	4	FBLT	ON -> 100% backlight intensity OFF -> 80% backlight intensity (Backlight life enhanced)					
	5	Portrait	ON -> Portrait mode (If existing within the config)					
	Communication		CAN Vidatech	CAN JRT	CAN GAL	CAN elevator controls	CAN TKE	CAN Smartrise
	6	COM1		●		●		●
	7	COM2			●	●		
	8	COM3					●	●

- To activate Gong option, user must program floor adress in the menu.