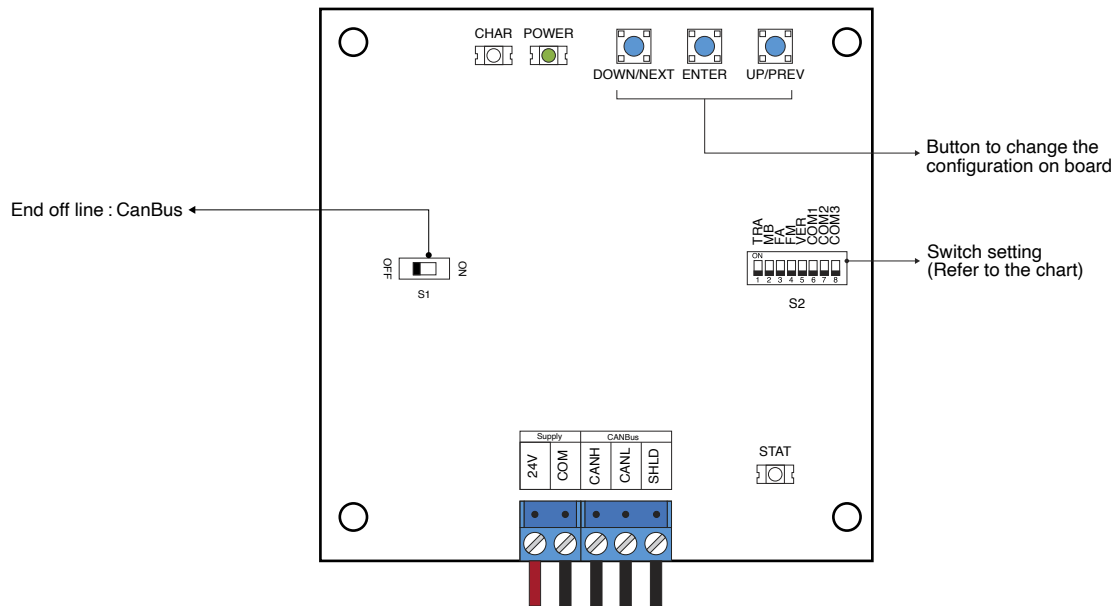


S1220 – CANBus mini position indicator

Installation manual



- Supply must be between 16VDC to 30VDC.
- The switch S1 must be set ON only on the end of the line position indicator.
- Switch setting :

SW #	#	Text	Description		
SW #	1	TRA	ON -> Transition mode is active.		
	2	MB			
	3	FA	ON -> Blank the display in fire alternate mode.		
	4	FM	ON -> Blank the display in fire mode.		
	5	VER/HOR	ON -> Characters are displayed vertically. A maximum of two characters can be displayed. OFF -> Characters are displayed horizontally.		
SW #	6	COMM	CanBus Vidatech	CAN JRT	CAN GAL
				●	
					●