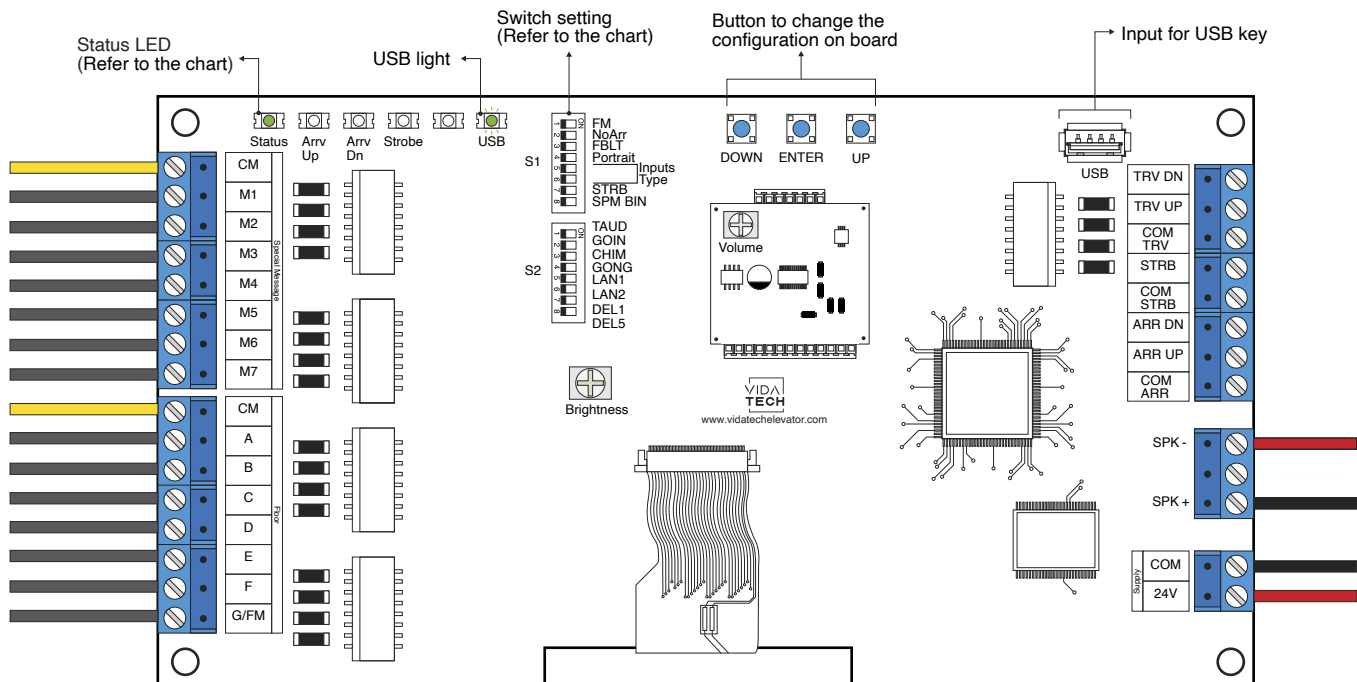


# F7012 – Binary 7” LCD indicator with voice

## Installation manual



- Supply must be between 16VDC to 30VDC.
- Speaker must be 4Ω to 45Ω, 5Watts minimum.
- Up to 12 minutes 38 seconds of message time.
- Speaker wire length must be less than 500 feet to prevent noise.
- .via files are for audio configuration. Only one .via file must be present on the USB dongle.
- VCI, VIA and Visual files must be placed on the root of a USB dongle, then connected to a powered indicator until the USB light stops blinking.
- Volume of the voice annunciator is controlled by “ volume ” potentiometer.
- Brightness of the LCD is controlled by “ brightness ” potentiometer.
- Must be installed in COP or hall fixtures.
- To get the actual configuration of the indicator, connect a void USB dongle, then the configuration will upload into the dongle.
- You can modify the stair digit displayed by the indicator by modifying the .vci file with the Storm software, available on our website.
- You can modify the visual configuration with the Storm software available on our website.

- To change the configuration of the indicator on board :
  1. Press “ ENTER ” button to go to the main menu.
  2. Then choose “ Edit stair digits ” and press “ ENTER ”.
  3. Press “ UP/DOWN ” to select the floor to modify (1 to 127).
  4. Press “ ENTER ” to select to confirm the floor to modify.
  5. Press “ UP/DOWN ” to select the right character to display.
  6. Press “ ENTER ” to confirm the new character.
  7. Repeat the two previous step for the second and third character. Once completed, the indicator will return to main menu.

- Status LED :

Status LED	Description
Steady	System ok
Slow Blink	System error

- Switch setting :

SW #	#	Text	Description				
S1	1	FM	ON -> Blank the display in fire mode				
	2	NoArr	ON -> Blank the arrow				
	3	FBLT	ON -> 100% backlight intensity OFF -> 80% backlight intensity (Backlight life enhanced)				
	4	Portrait	ON -> Portrait mode (If existing within the config)				
			Binary	1 Wire/Floor	Gray Code	N/A	
	5	Input		●		●	
	6				●	●	
	7	STRB	ON -> Strobe active Low OFF -> Strobe active High				
8	SPM BIN	ON -> Binary OFF -> 1 wire per message					
S2	1	TAUD	ON -> Play all audio file saved in memory				
	2	GOING	ON -> Going Up/Dn active				
	3	CHIM	ON -> Passing Chime active				
	4	GONG	ON -> Cabin gong active				
			Language	French	English	1 - French 2 - English	1 - English 2 - French
	5	LAN1		●		●	
	6	LAN2			●	●	
	7	DEL1	ON -> Add 0.5 second of silence after the strobe				
8	DEL.5	ON -> Add 1 second of silence after the strobe					